

HYPER EX 10

**1/10th
SCALE**

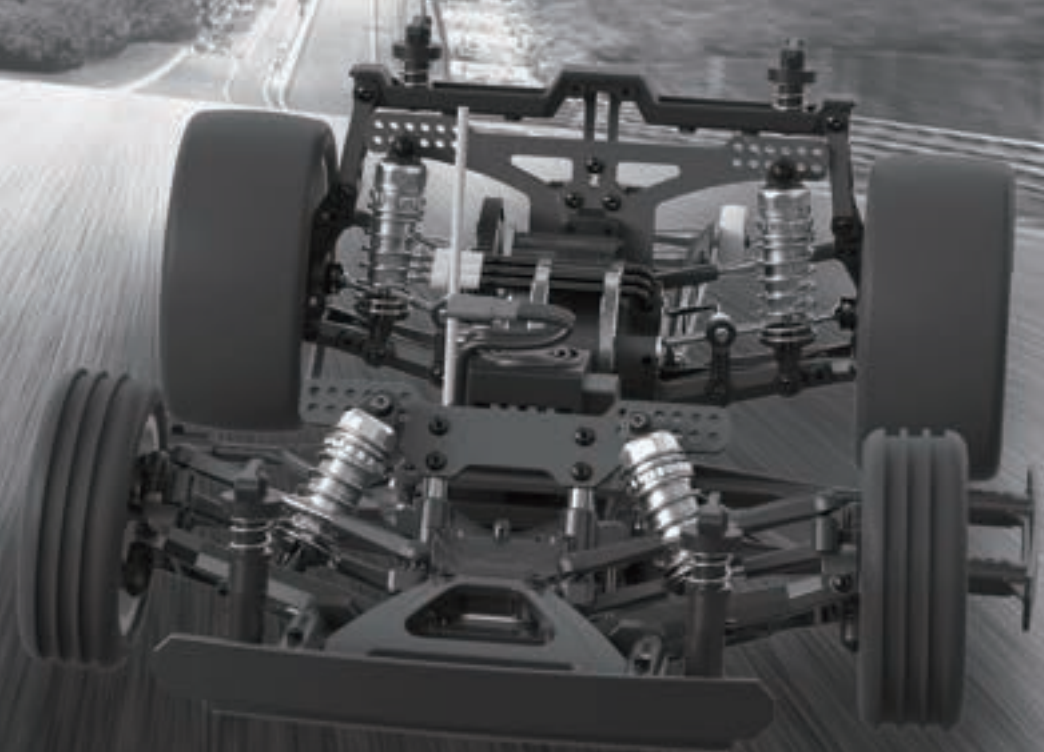
HoBao

HoBao Racing Inc.
No. 34, Lane 112, Szu Yuan Road, Hsin Chuang District,
New Taipei City, Taiwan 24250
Phone: +886-2-2996-2229
Email: hobao@hobao.com.tw

HoBao Racing USA
7607 Grissom Road, Suite
#107, San Antonio, TX 78251. US
Tel: +1-888-687-6780
Email: info@hobao-usa.com

HoBao Racing Direct eShop: <http://eshop.hobao-racing.com>

Drag racing

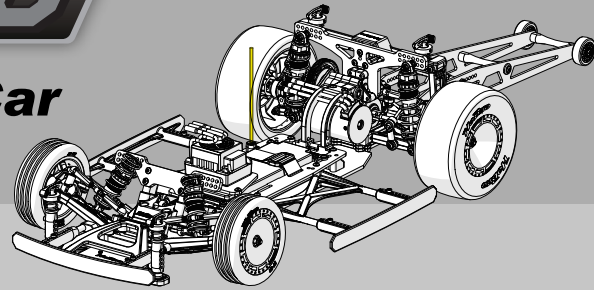


INSTRUCTION MANUAL

Made in Taiwan

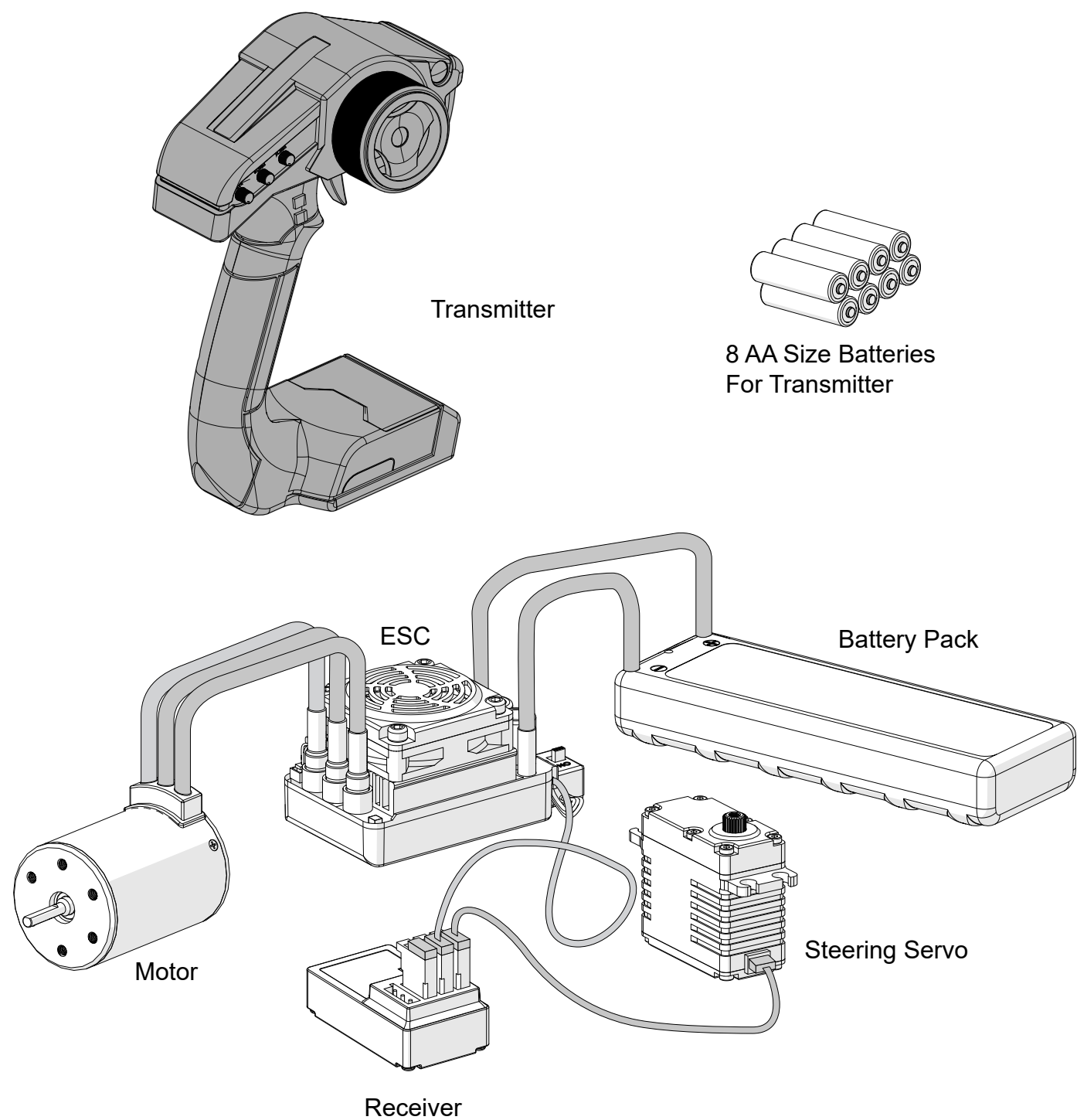
HYPER EX 10

1/10 SCALE Drag Race Car



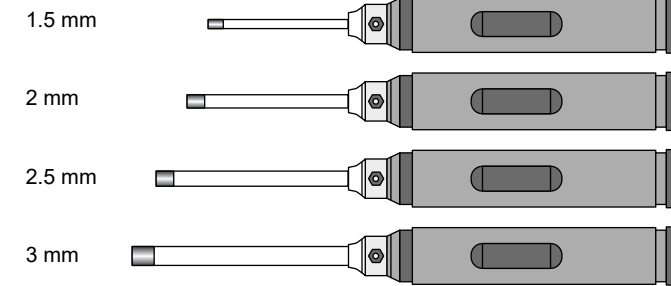
REQUIRED

Radio Control Equipment Set

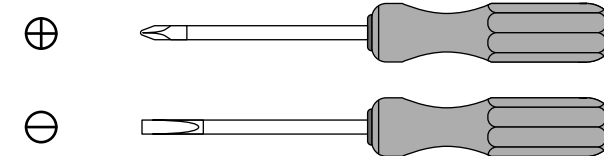


Tools Recommended

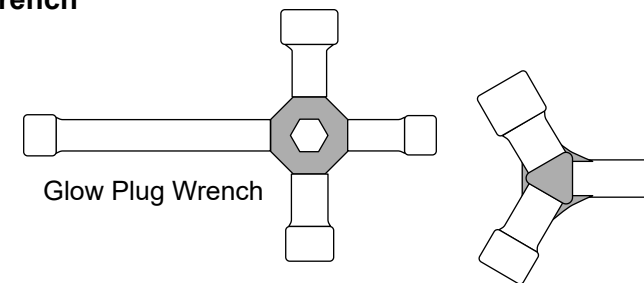
Hex Wrench



Screwdriver



Wrench



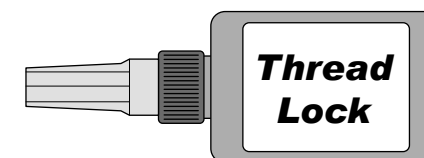
Instant Cement



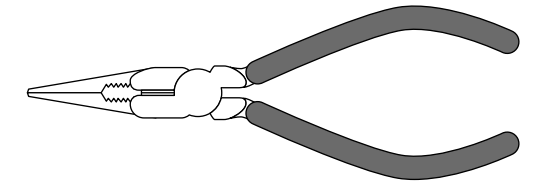
Rubber Cement



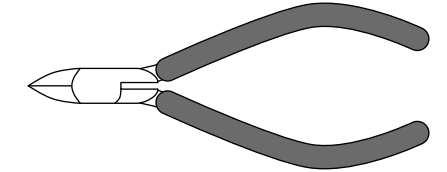
Thread Lock



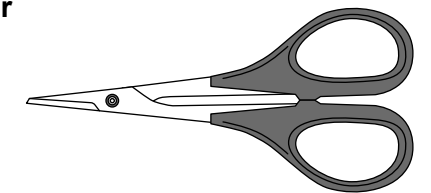
Long Nose Pliers



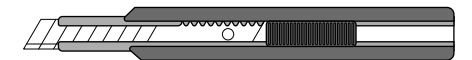
Side Cutter



Curved Scissor



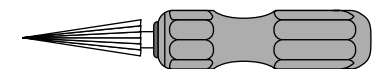
Modeling Knife



Tweezers



Reamer



Grease



Silicone Oil

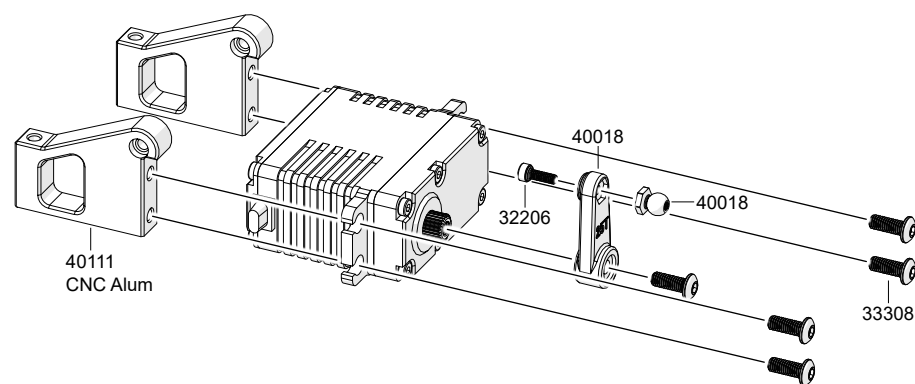


1

Servo Assembly 1

32206
M2x6 x1
Cap Screw

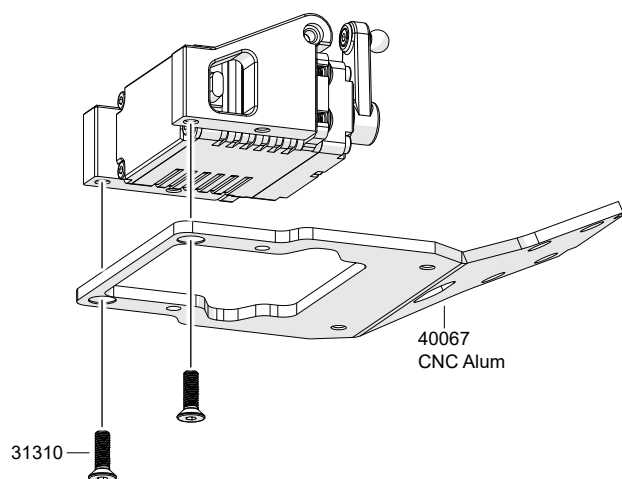
33308
M3x8 x5
B/H Screw



2

Servo Assembly 2

31310
M3x10 x2
F/H Screw

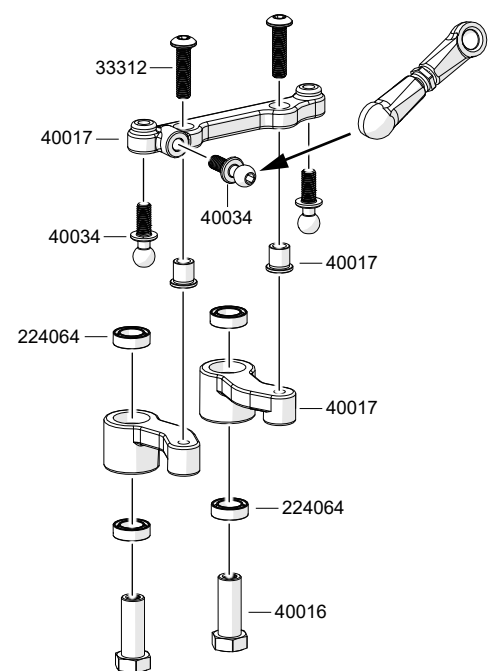
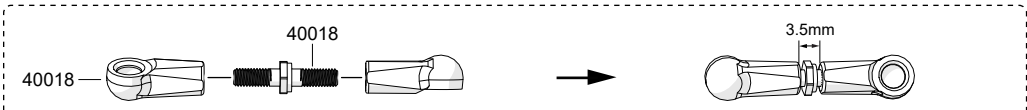


3

Servo Saver Assembly 1

33312
M3x12 x2
B/H Screw

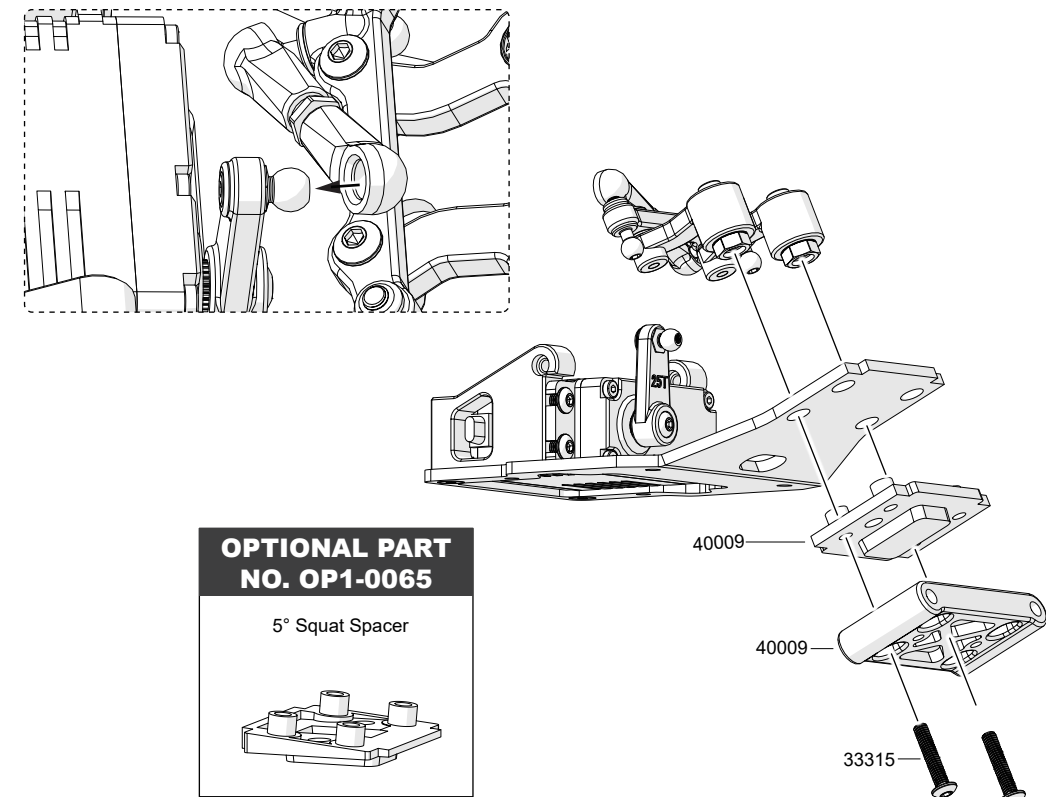
224064
5x8x2.5mm x4
Ball Bearing



4

Servo Saver Assembly 2

33315
M3x15 x2
B/H Screw



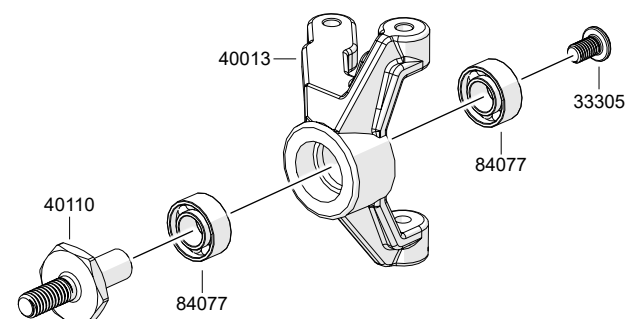
5

Steering Knuckle Assembly 1

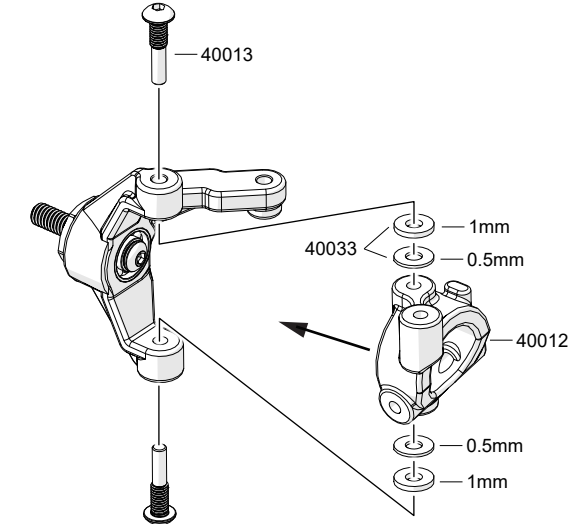
33305
M3x5 x2
B/H Screw

84077
5x10x4mm x4
Ball Bearing

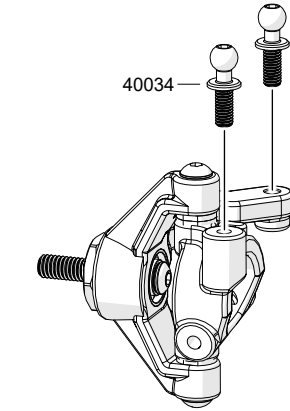
STEP 1



STEP 2

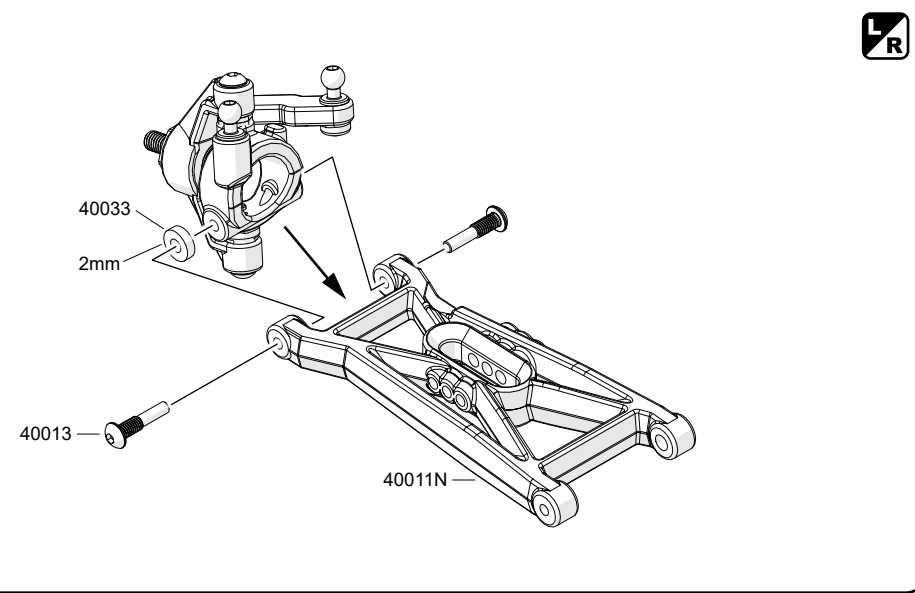


STEP 3



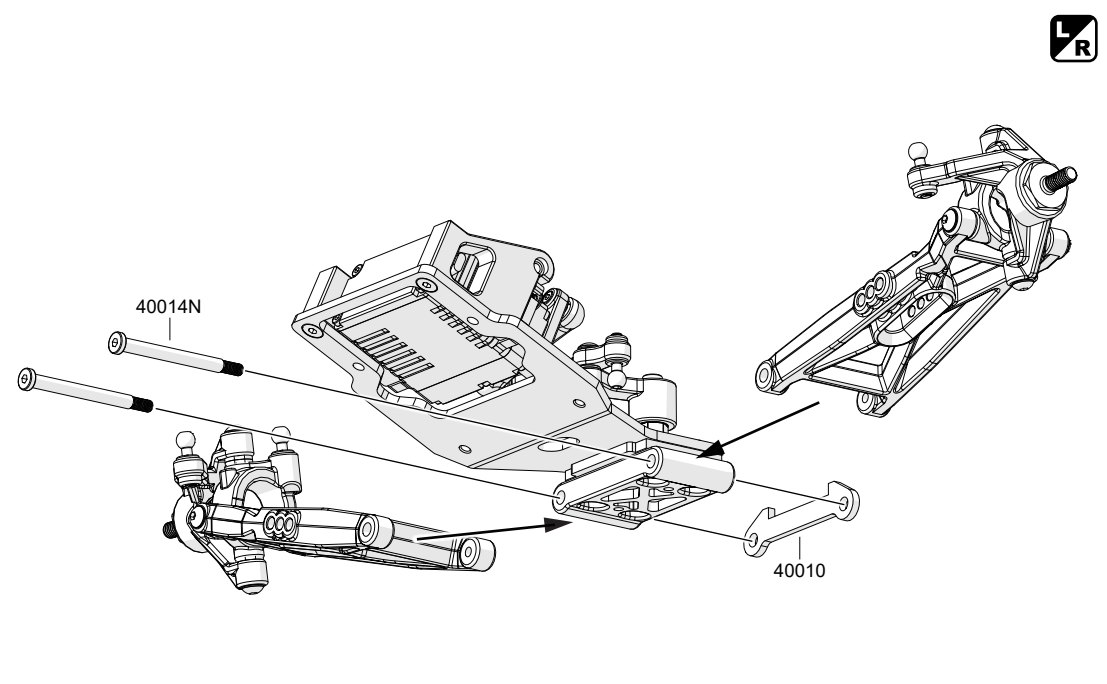
6

Steering Knuckle Assembly 2



7

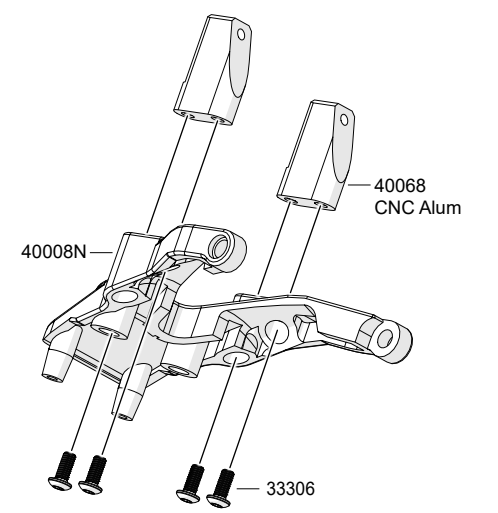
Front Suspension Arm Assembly



8


Front Bulkhead & Upper Arm Mount Assembly

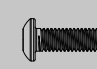
 33306
M3x6 x4
B/H Screw

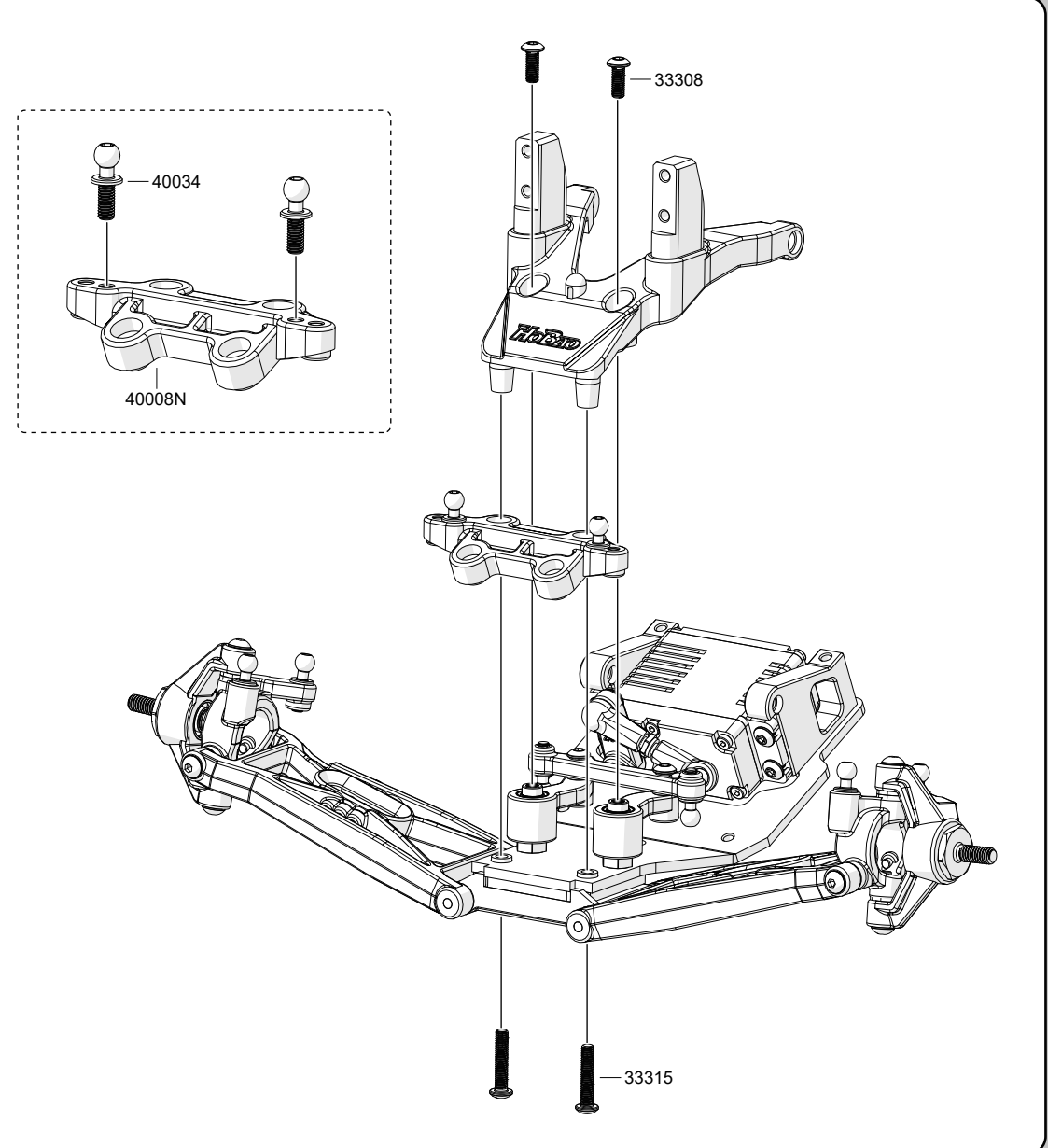


9

Front Bulkhead Assembly 1

 33308
M3x8 x2
B/H Screw

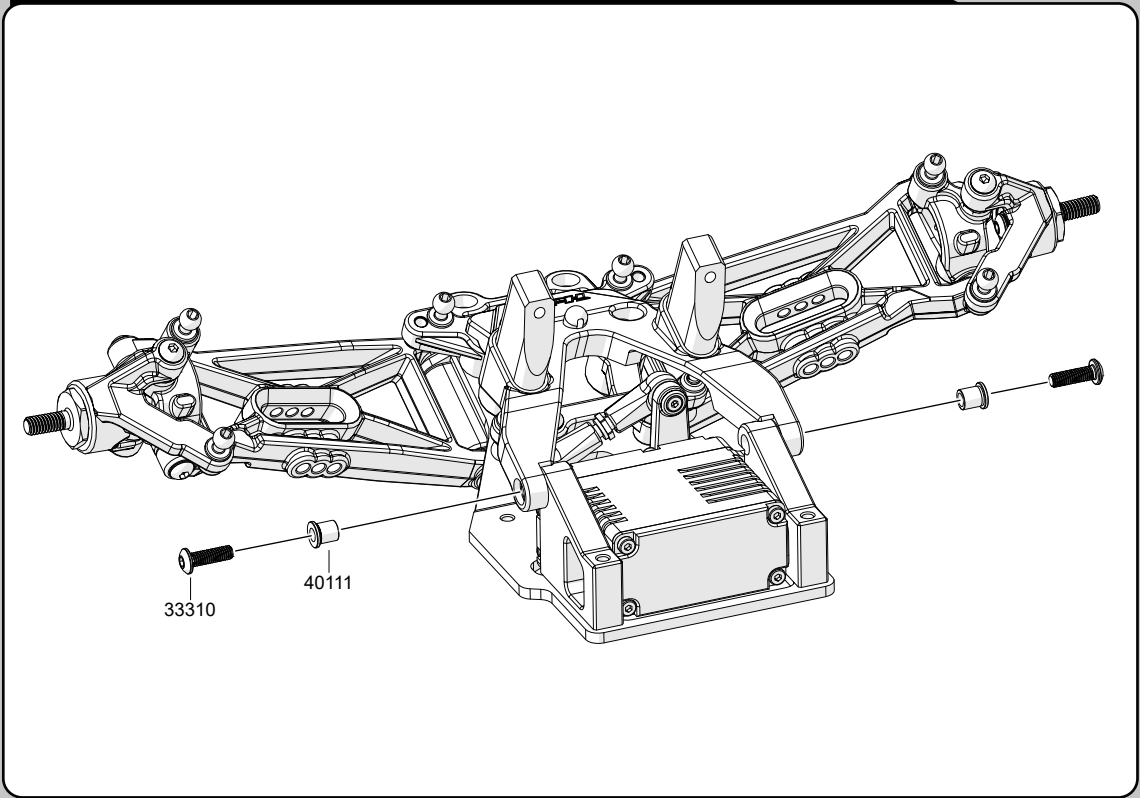
 33315
M3x15 x2
B/H Screw

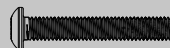
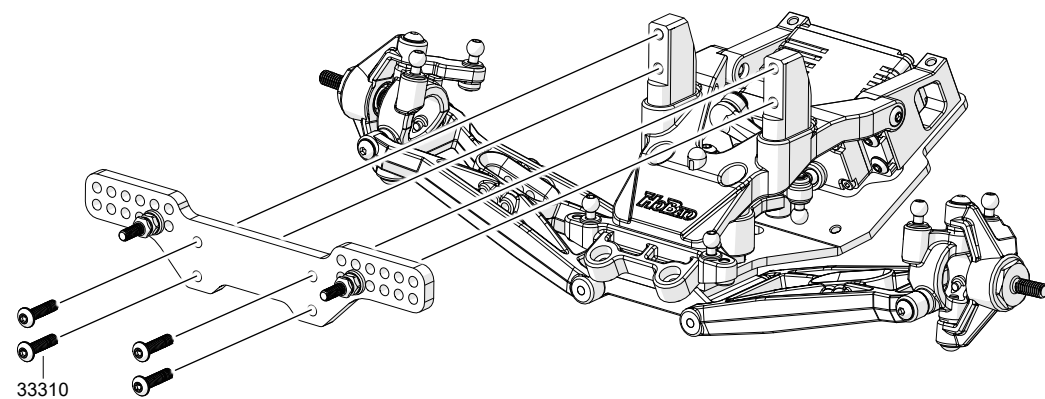
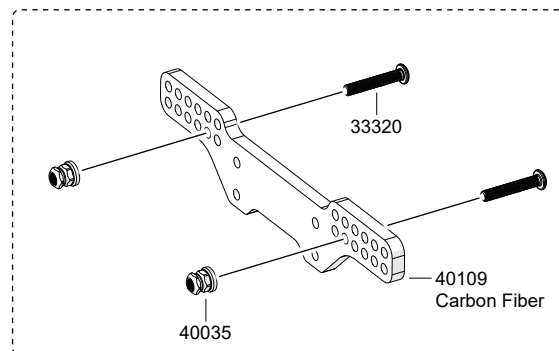
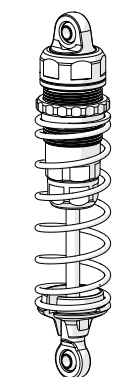


10

Front Bulkhead Assembly 2

 33310
M3x10 x2
B/H Screw



1133310
M3x10 x4
B/H Screw33320
M3x20 x2
B/H Screw**Front Shock Tower Assembly****12****Shock Assembly****x4****No. 40124**
Front Shock Set W/Soft Spring**No. 40125**
Rear Shock Set W/Hard Spring

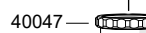
40045



40042



40047

No.40122 Front Spring -Soft
No.40123 Rear Spring - Hard

40048

40048
4005140041N
40049
40041N

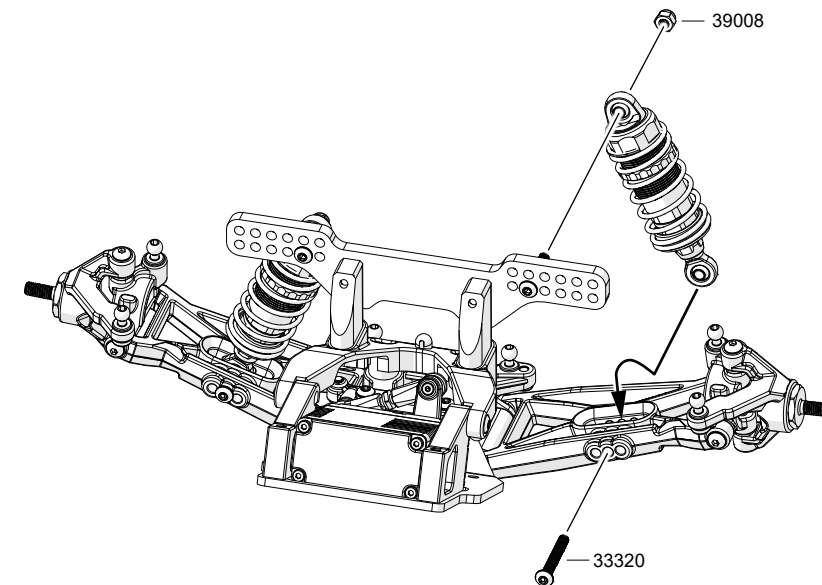
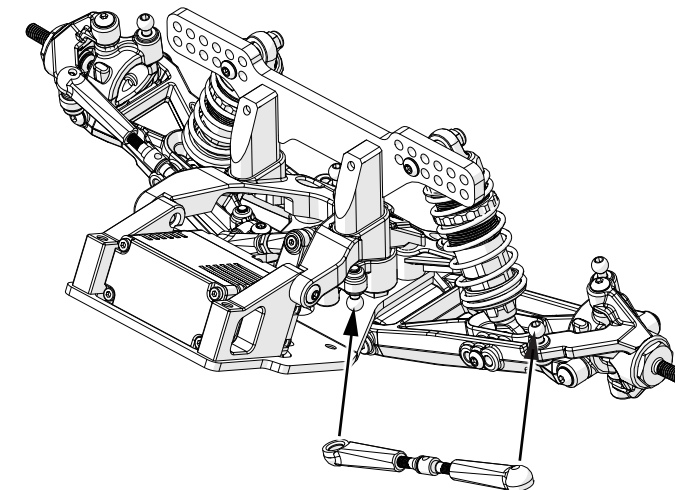
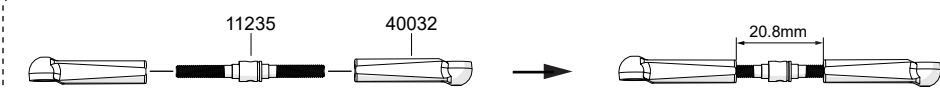
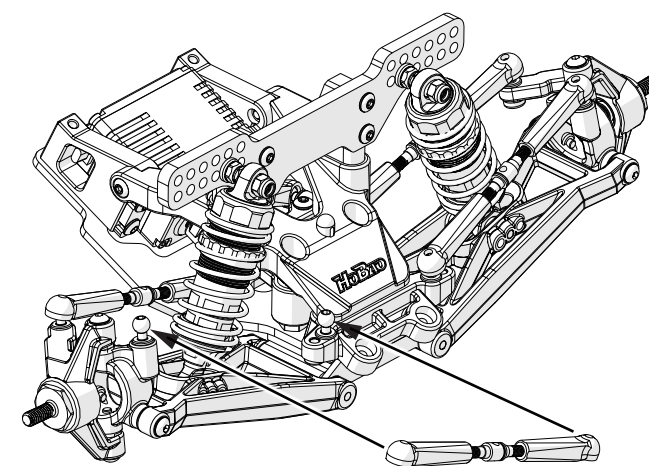
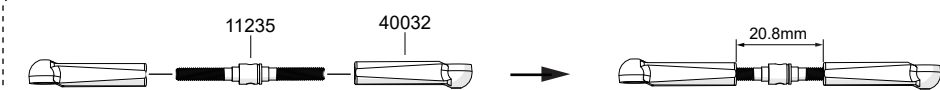
40041N

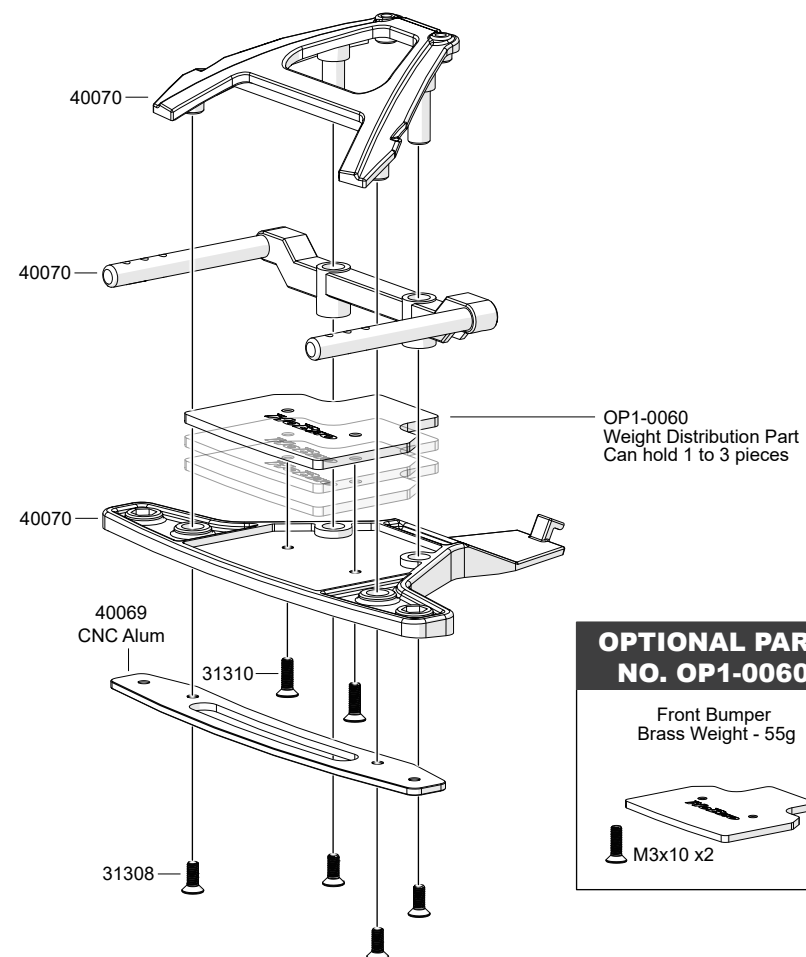
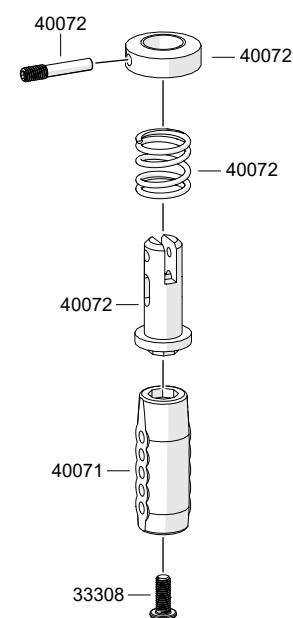
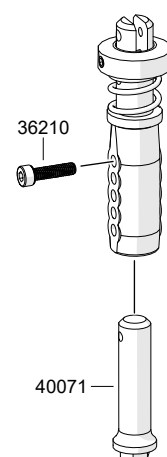
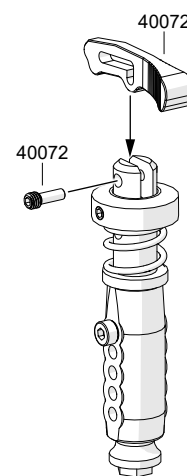
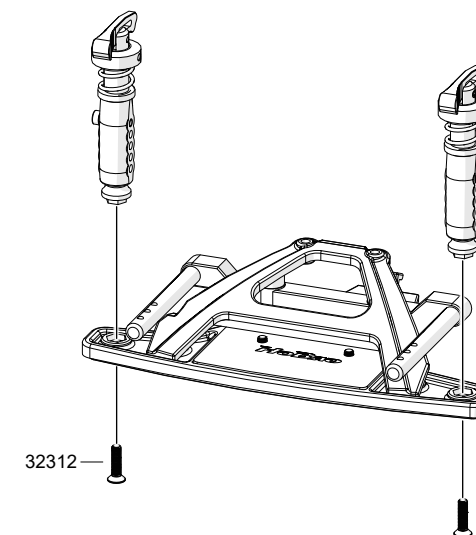
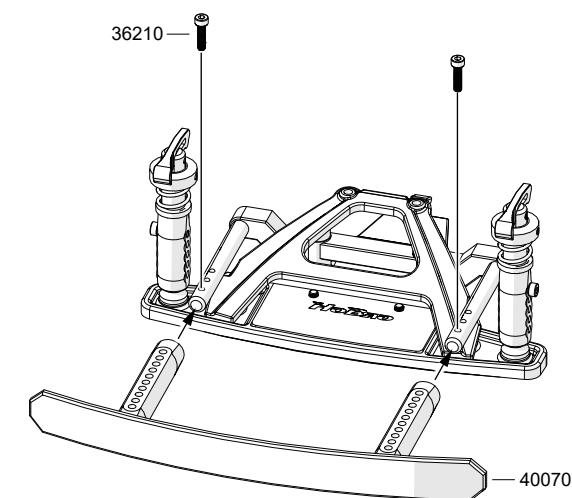
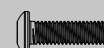
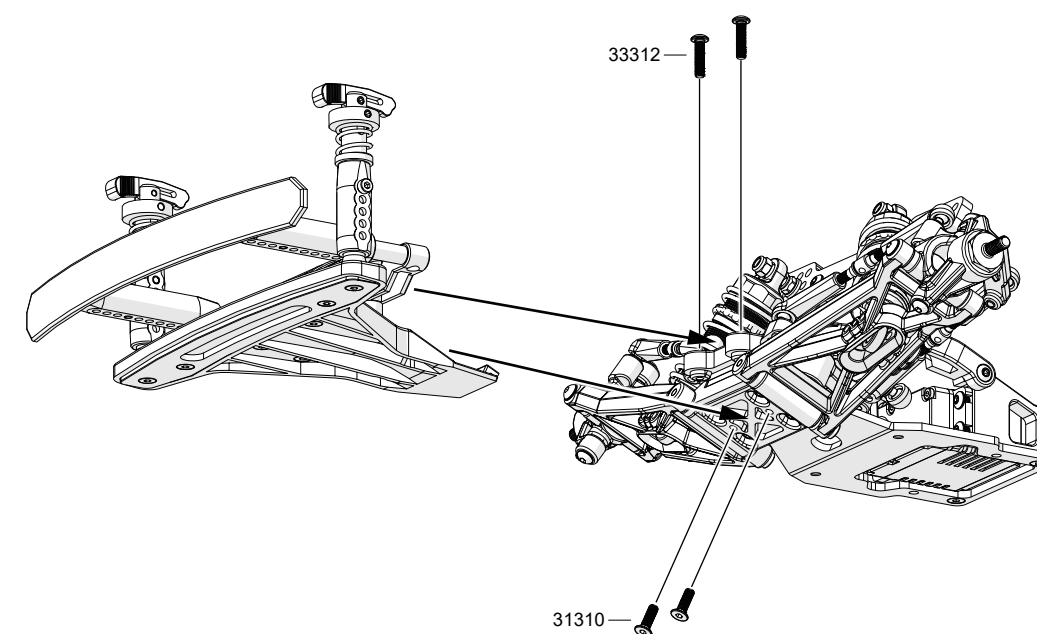
40121

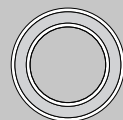
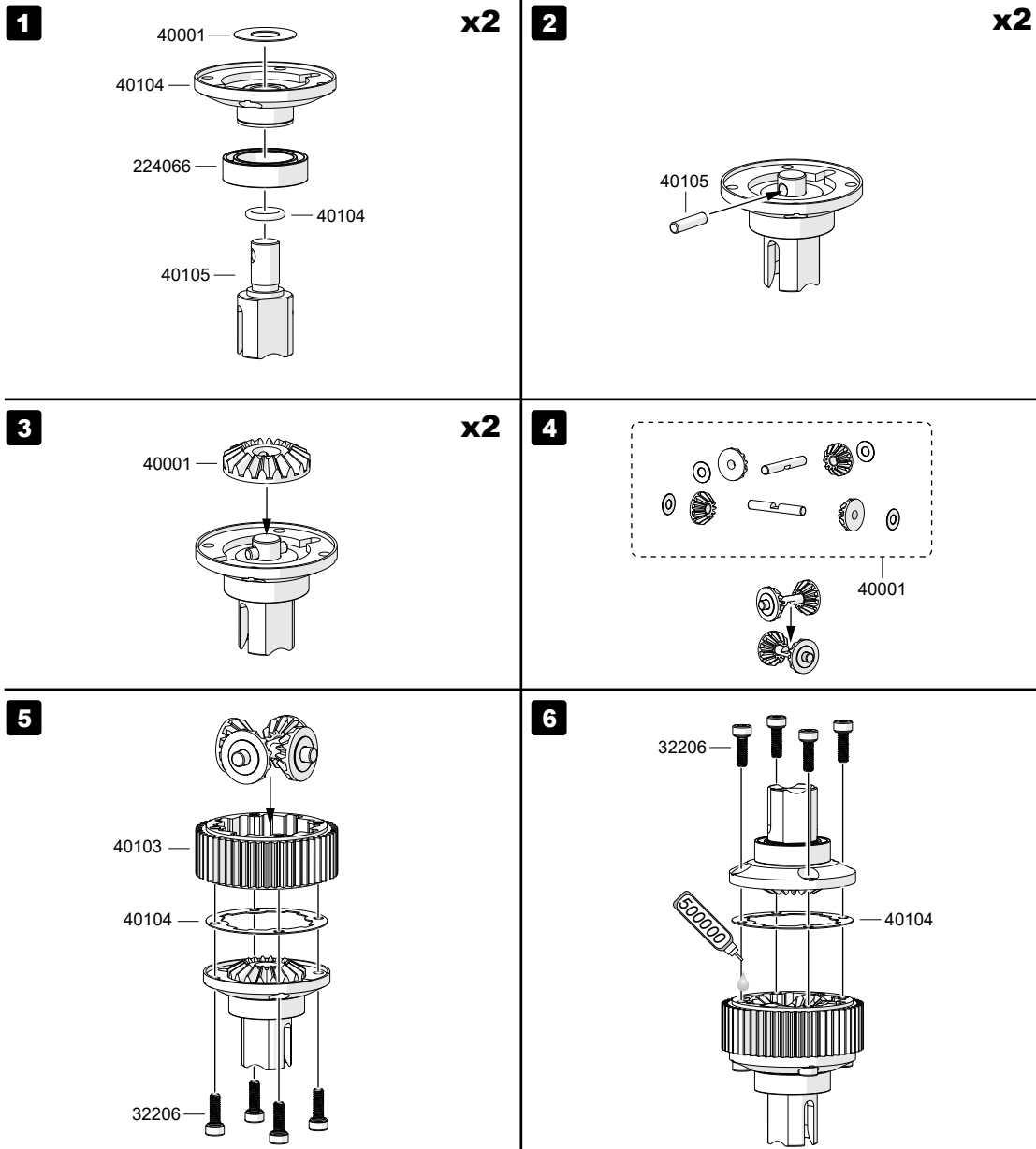
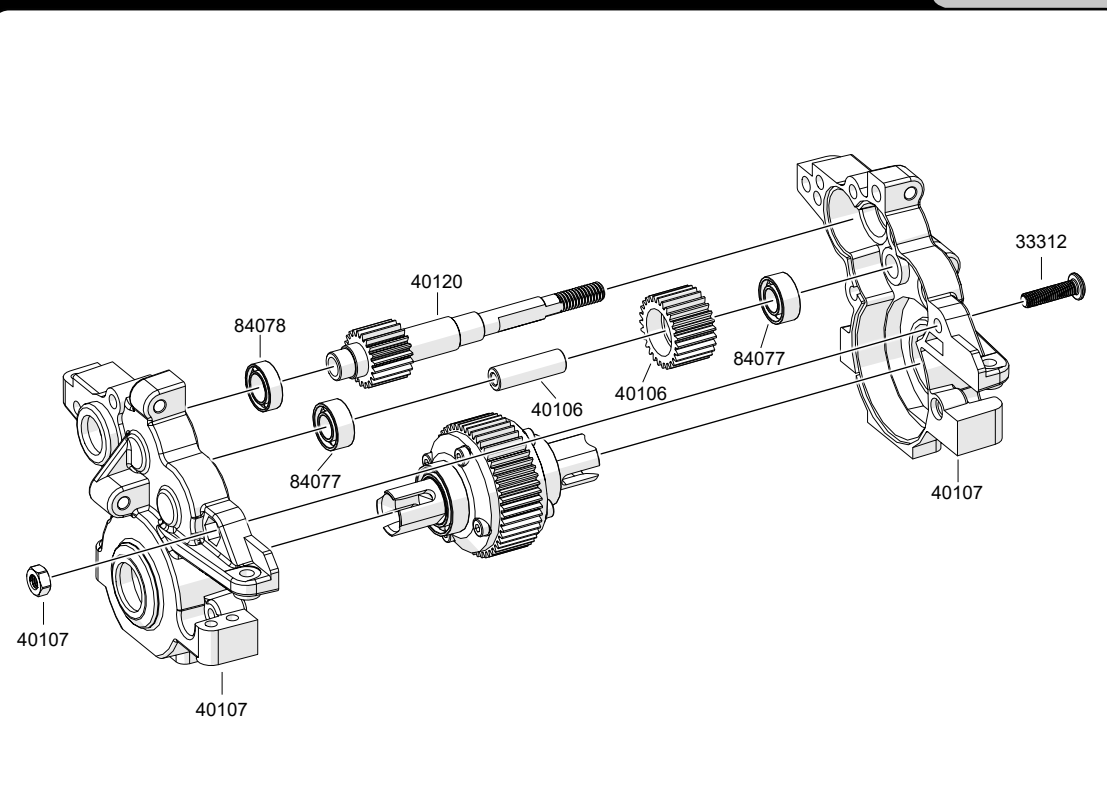
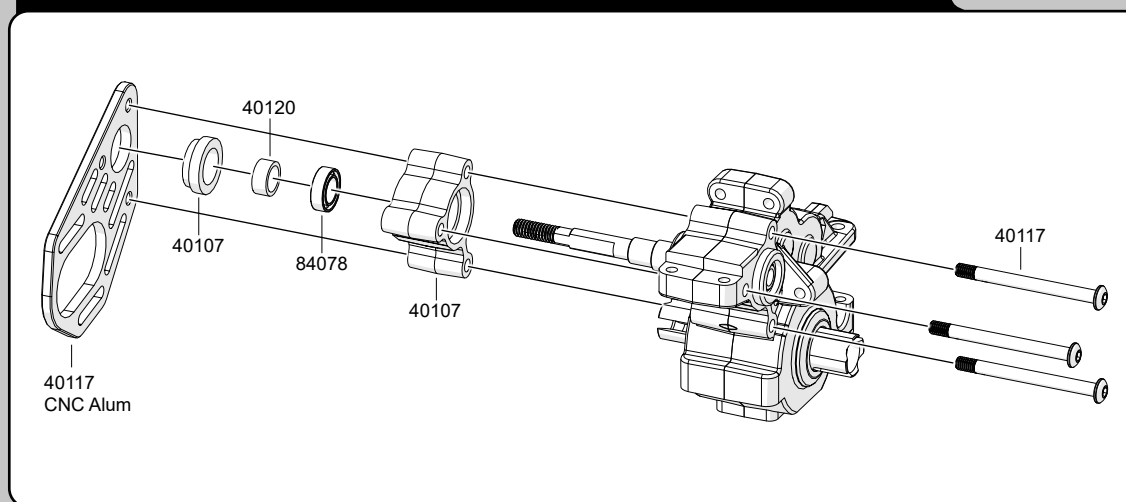
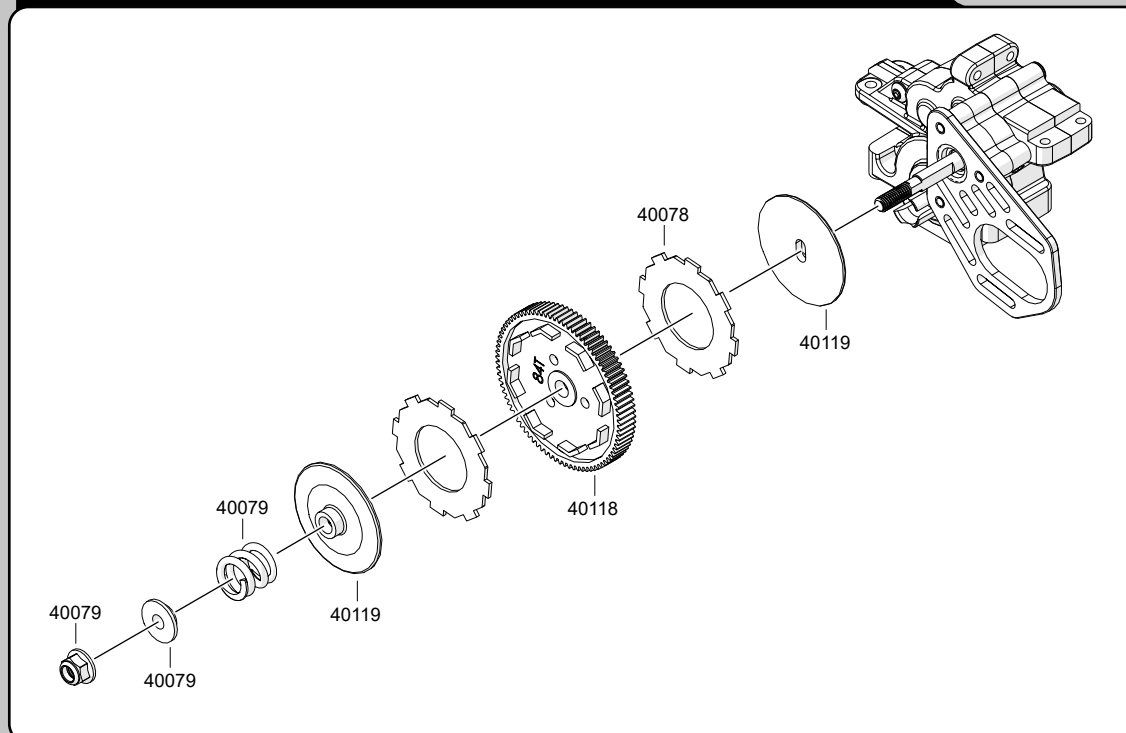
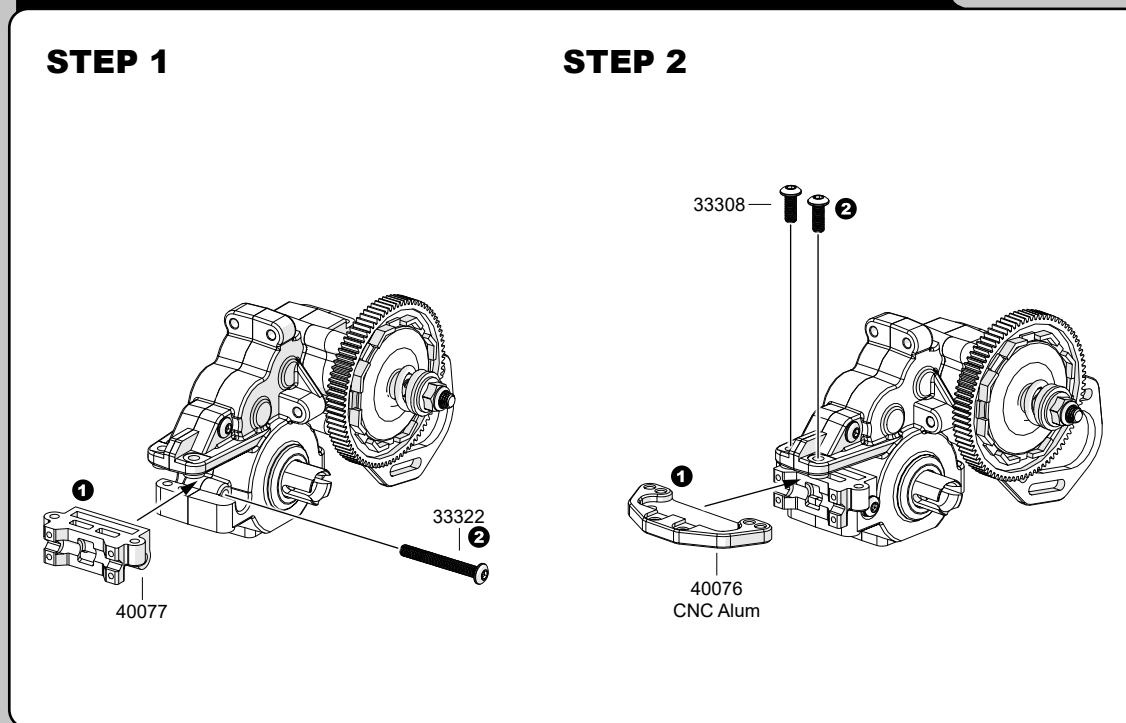


40049

40046

40048
40051**13**33320
M3x20 x2
B/H Screw39008
M3 Nut x2**Front Shock Assembly****14****Steering Linkage Assembly 1****15****Steering Linkage Assembly 2**

1631308
M3x8 x4
F/H Screw31310
M3x10 x2
F/H Screw**Front Bumper Assembly****17**33308
M3x8 x2
B/H Screw36210
M2.6x10 x2
Cap Screw**Front Body Post Assembly 1****x2****STEP 1****STEP 2****STEP 3****18**31312
M3x12 x2
F/H Screw**Front Body Post Assembly 2****19**36210
M2.6x10 x2
Cap Screw**Front Body Support Assembly****20**33312
M3x12 x2
B/H Screw31310
M3x10 x2
F/H Screw**Front Bumper Set Assembly**

2132206
M2x6 x8
Cap Screw40001
5.1x10x0.1mm x2
Washer40001
3.1x7x0.25mm x4
Washer40003N
2x7.8mm x2
Shaft224066
10x15x4mm x2
Ball Bearing**Differential Assembly****22**33312
M3x12 x1
B/H Screw40107
M3 Nut x184078
6x10x3mm x2
Ball Bearing84077
5x10x4mm x2
Ball Bearing**Transmission Assembly****23**40117
M3x35 x3
B/H Screw**Motor Mount Assembly****24****Slipper Assembly****25**33308
M3x8 x2
B/H Screw33322
M3x22 x1
B/H Screw**Anti Roll Mount and Ball Mount Assembly 1**

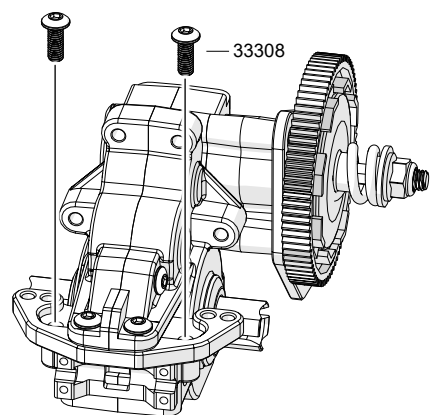
26



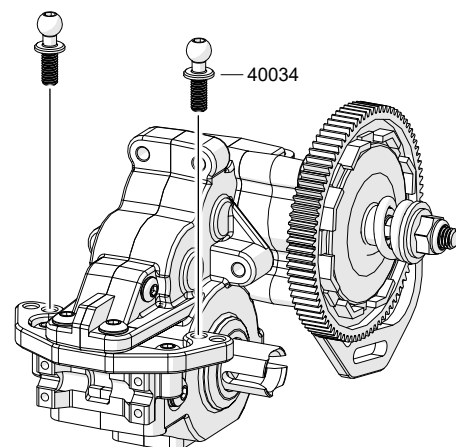
33308
M3x8 x2
B/H Screw

Anti Roll Mount and Ball Mount Assembly 2

STEP 1



STEP 2



27

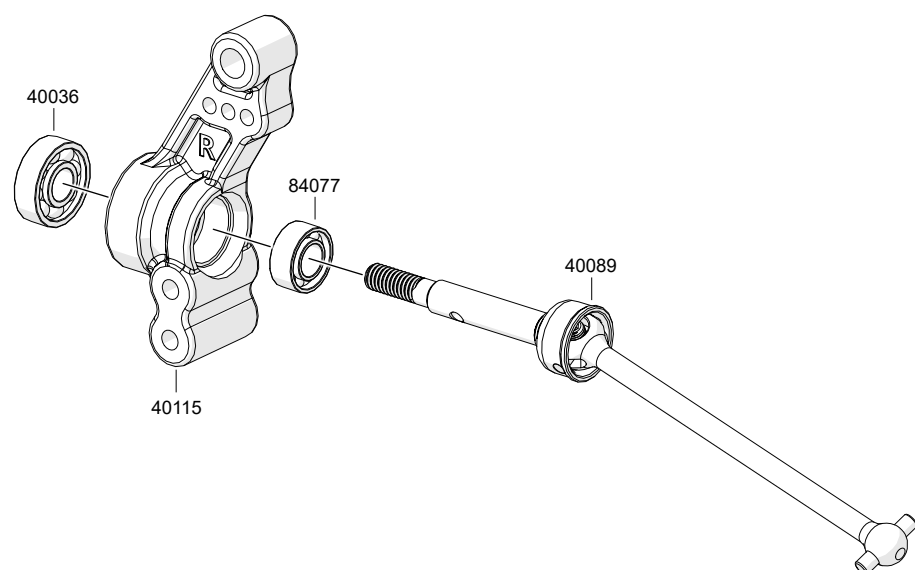


84077
5x10x4mm x2
Ball Bearing



40036
5x13x4mm x2
Ball Bearing

Rear Hub Assembly 1

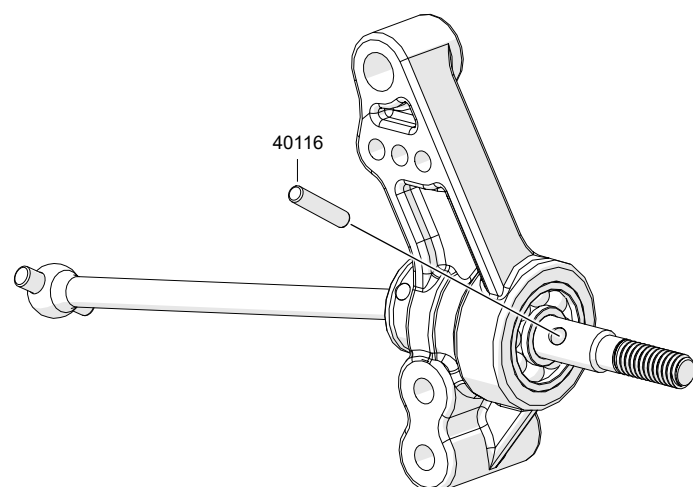


28



40027N
2x9.8mm x2
Shaft

Rear Hub Assembly 2

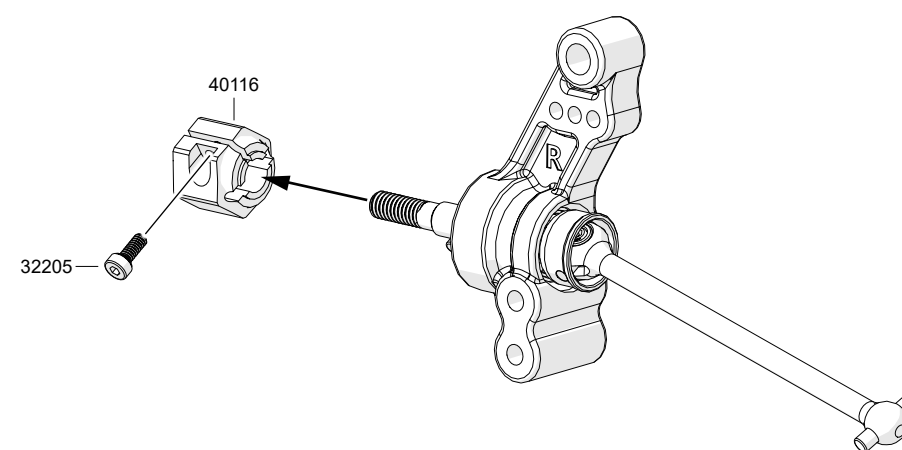


29



32205
M2x5 x2
Cap Screw

Rear Hub Assembly 3

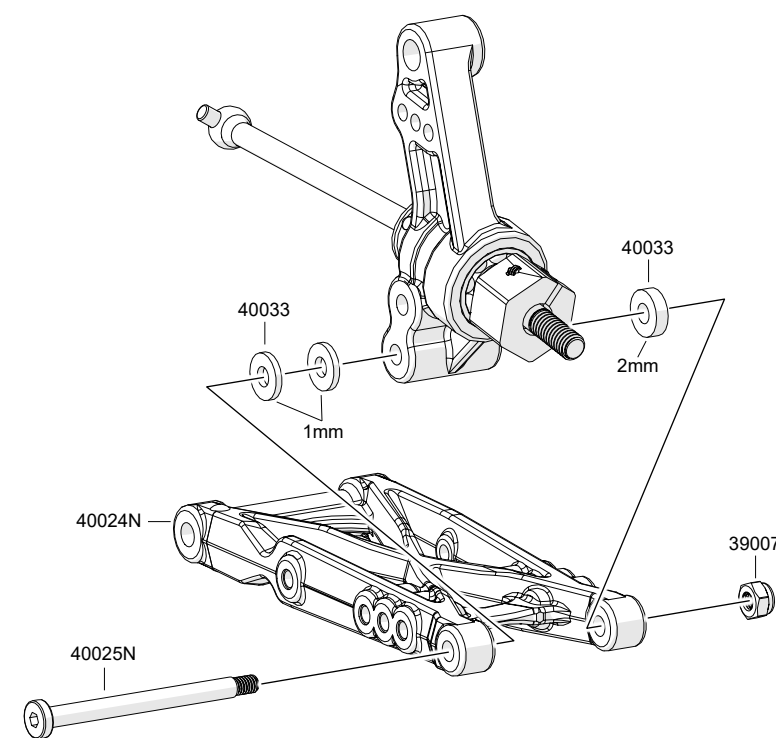


30



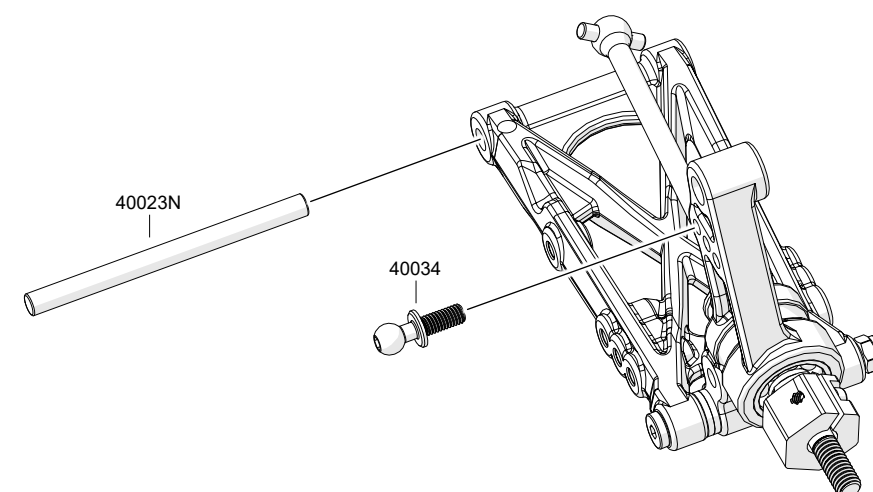
39007
M2.6 Nut x2

Rear Hub Assembly 4



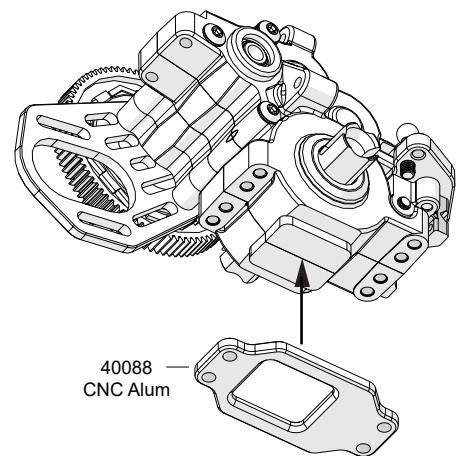
31

Rear Hub Assembly 5



32

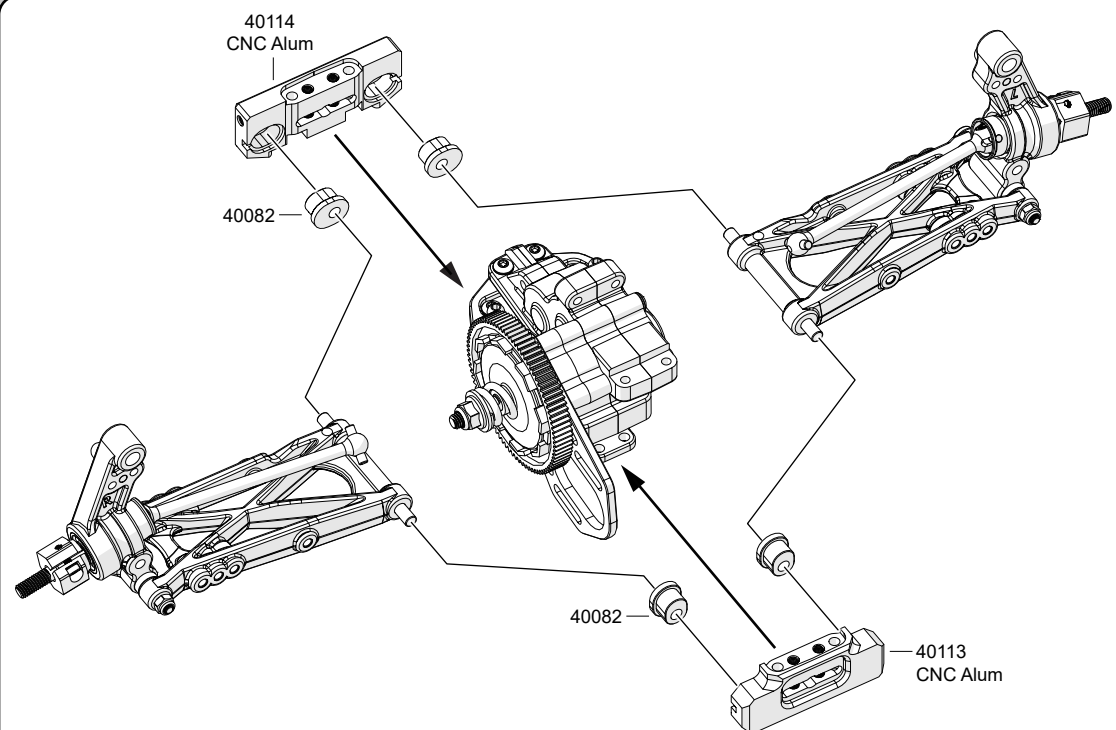
Gear Box Brace Assembly



40088
CNC Alum

33

Rear Suspension Assembly 1



40114
CNC Alum

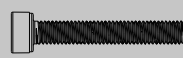
40082

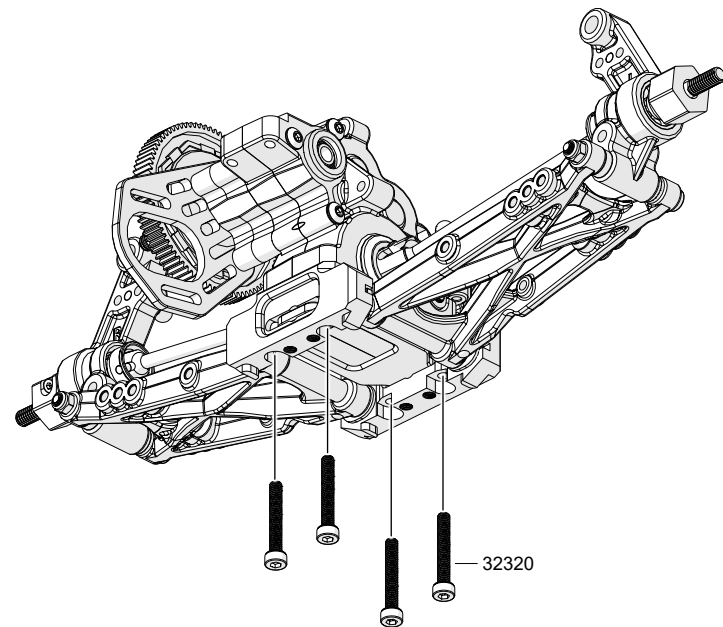
40082

40113
CNC Alum

34

Rear Suspension Assembly 2

 32320
M3x20 x4
Cap Screw

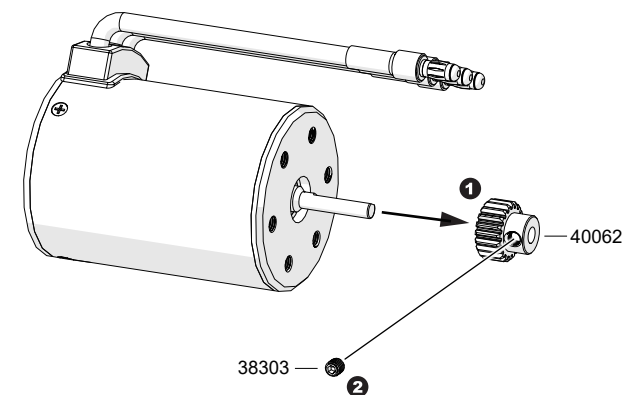


32320

35

Motor Assembly 1

 38303
M3x3 x1
Set Screw



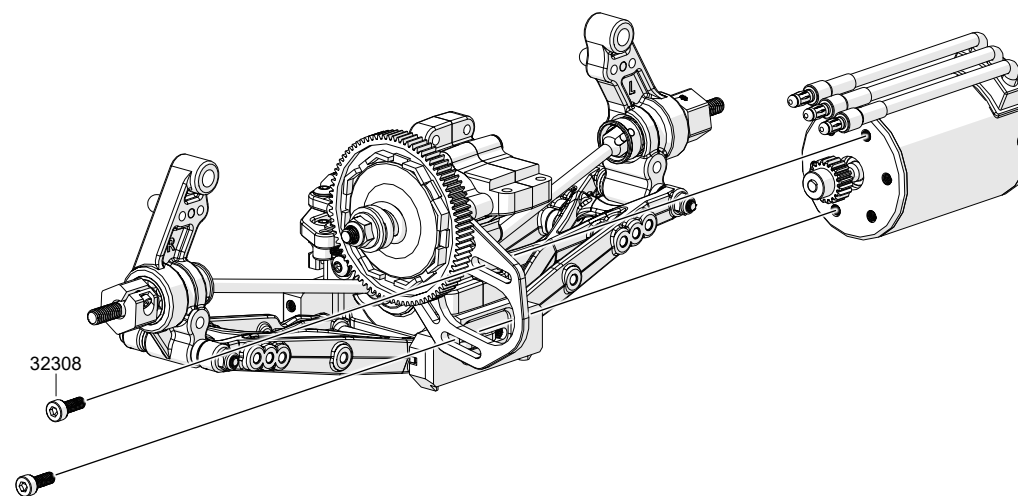
38303

40062

36

 32308
M3x8 x2
Cap Screw

Motor Assembly 2



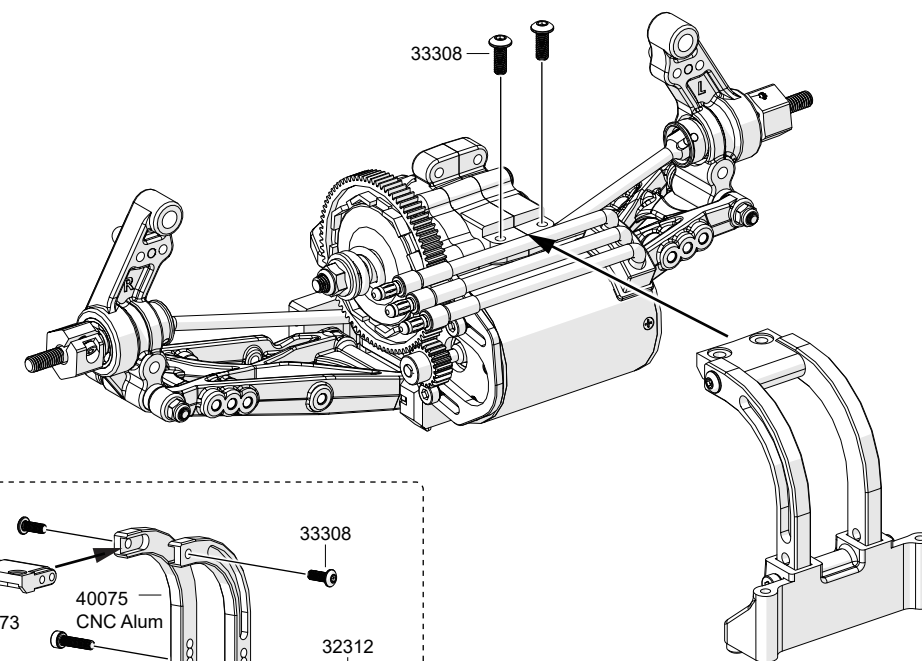
32308

37

 33308
M3x8 x4
B/H Screw

 32312
M3x12 x2
Cap Screw

Rear Brace Assembly



33308

40073

40075
CNC Alum

33308

32312

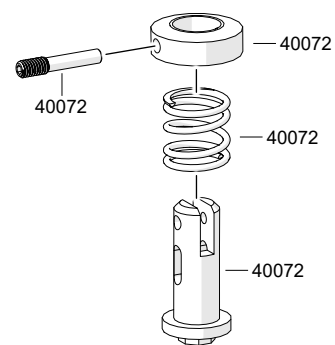
40073

38

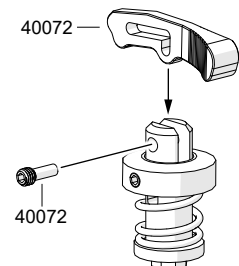
Rear Body Post Assembly

x2

STEP 1



STEP 2



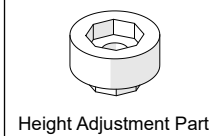
39

Rear Floating Body Mount 1

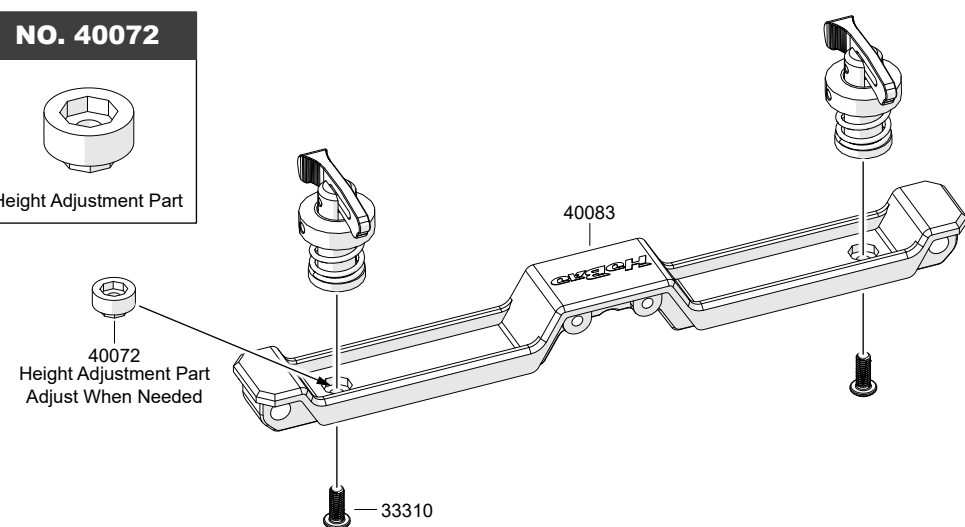


33310
M3x10 x2
B/H Screw

NO. 40072

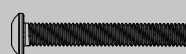


Height Adjustment Part

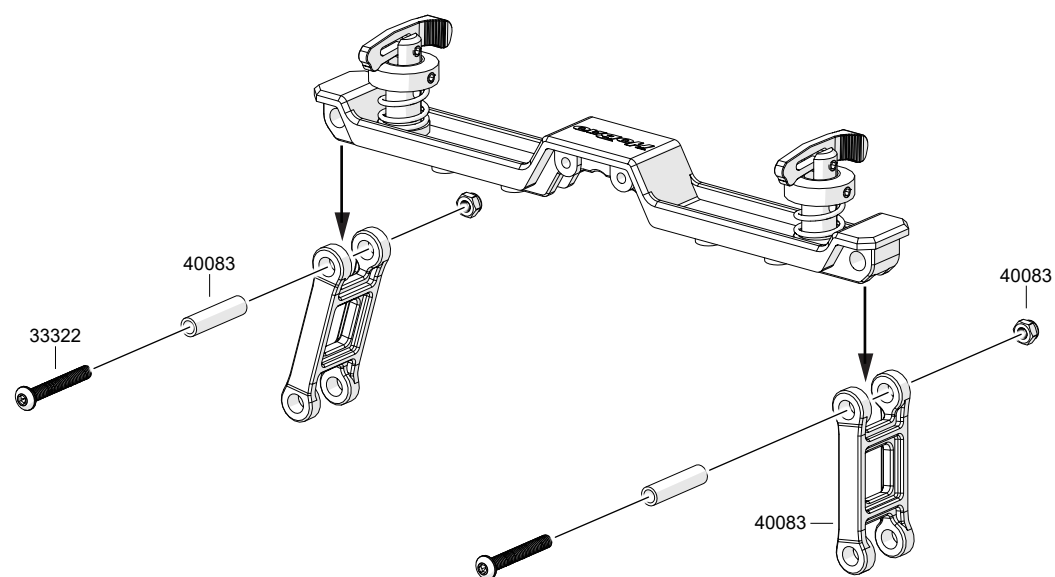


40

Rear Floating Body Mount 2



33322
M3x22 x2
B/H Screw

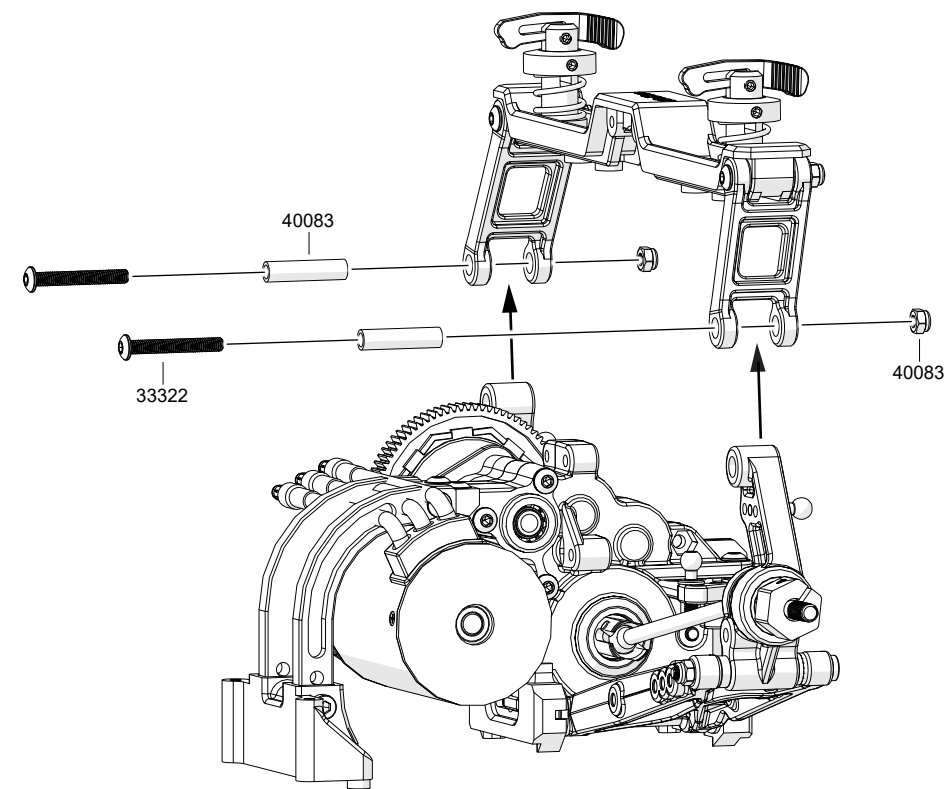


41

Rear Floating Body Mount 3

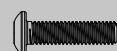


33322
M3x22 x2
B/H Screw

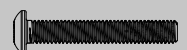


42

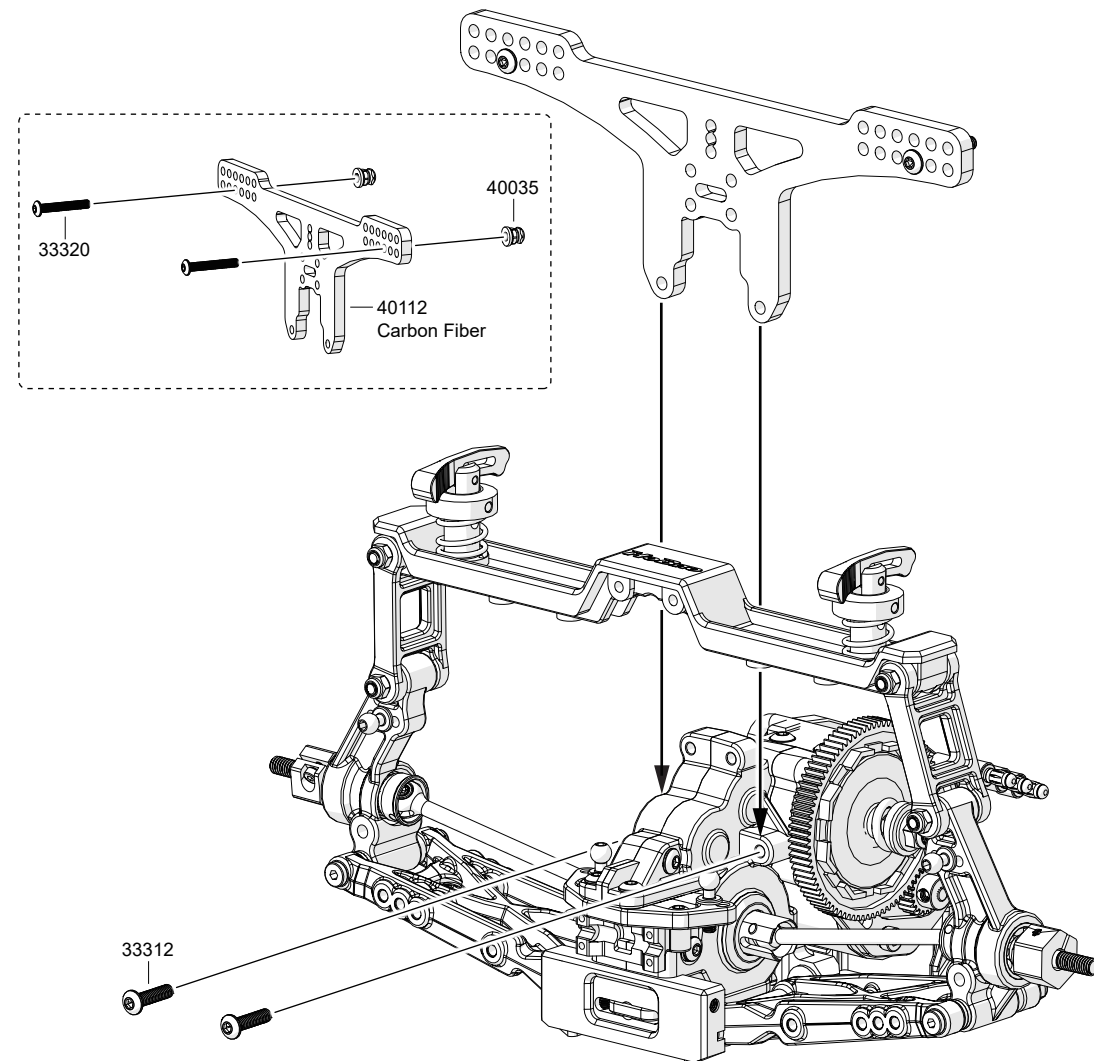
Rear Shock Tower Assembly



33312
M3x12 x2
B/H Screw



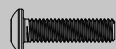
33320
M3x20 x2
B/H Screw



43

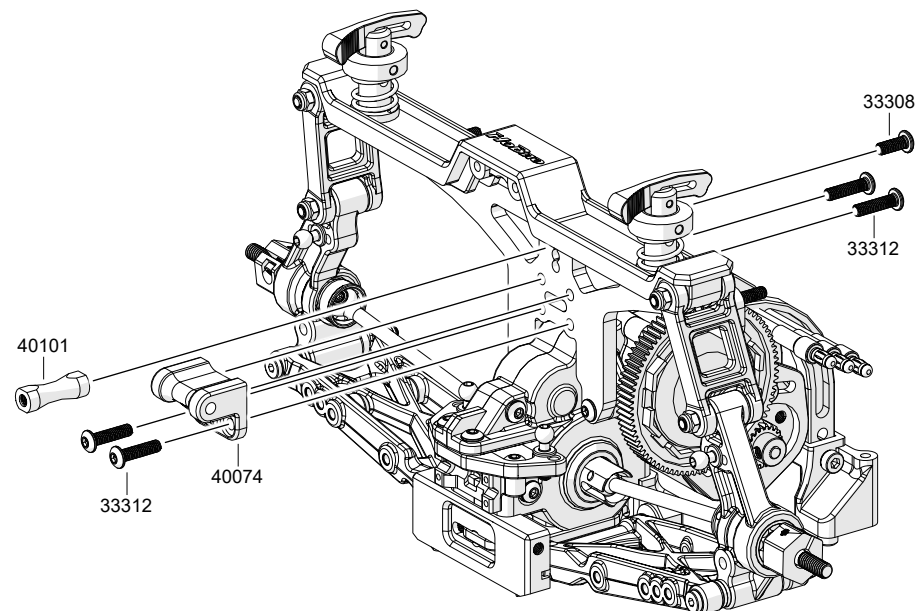


33308
M3x8 x1
B/H Screw



33312
M3x12 x4
B/H Screw

Wheelie Upper Mount Assembly

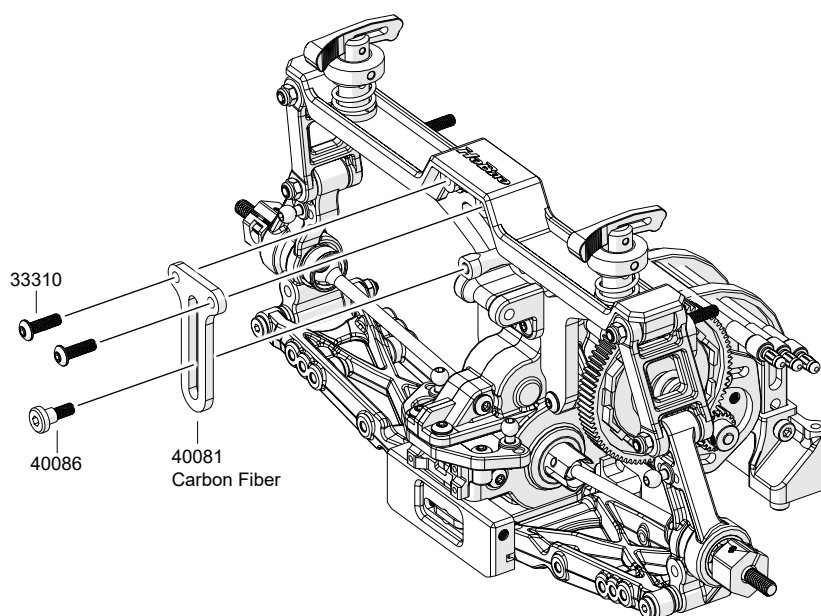


44



33310
M3x10 x2
B/H Screw

Centering Mount Assembly

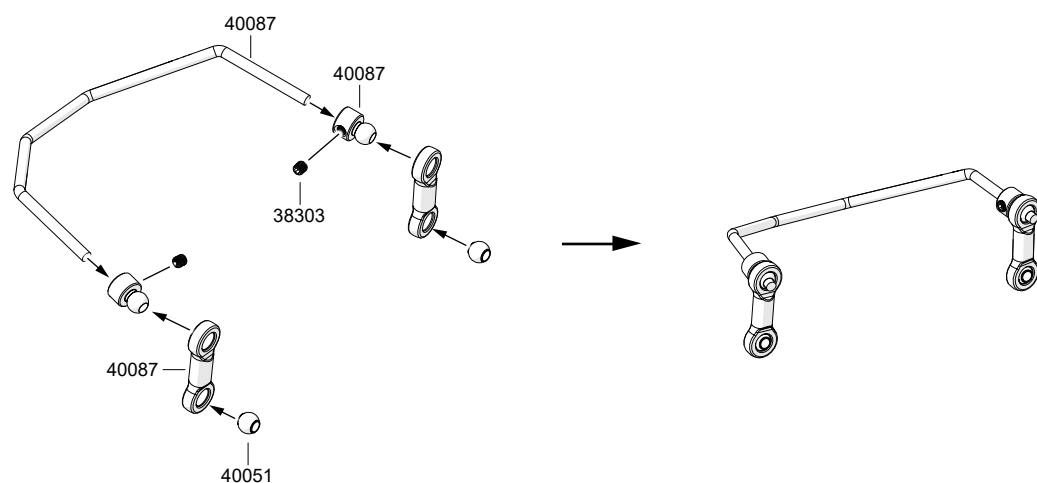


45

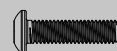


38303
M3x3 x2
Set Screw

Anti-Roll Bar Assembly 1

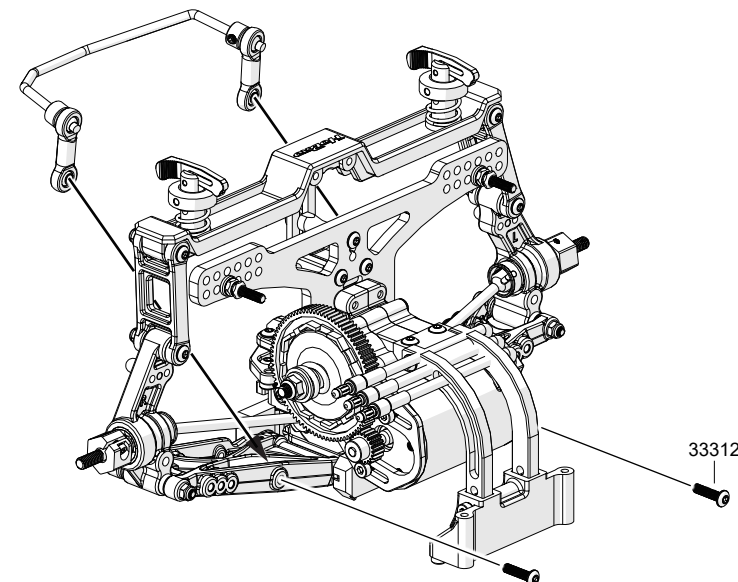


46



33312
M3x12 x2
B/H Screw

Anti-Roll Bar Assembly 2



47

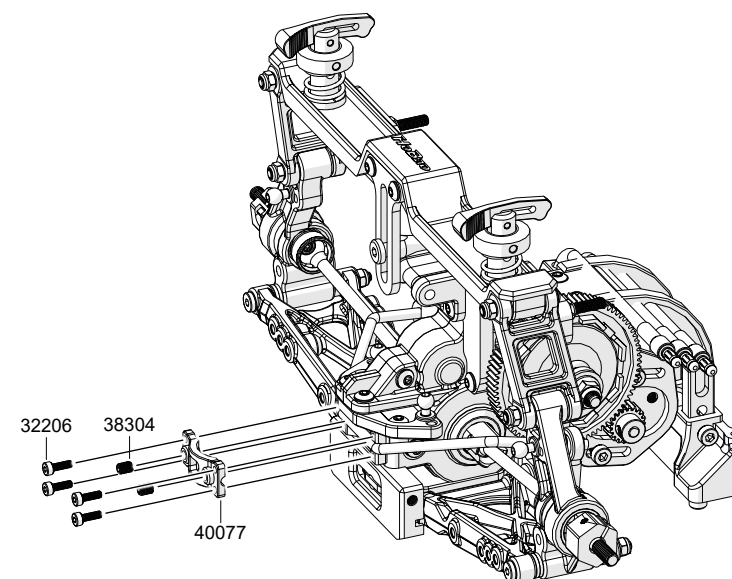


32206
M2x6 x4
Cap Screw

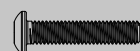


38304
M3x4 x2
Set Screw

Anti-Roll Bar Assembly 3



48

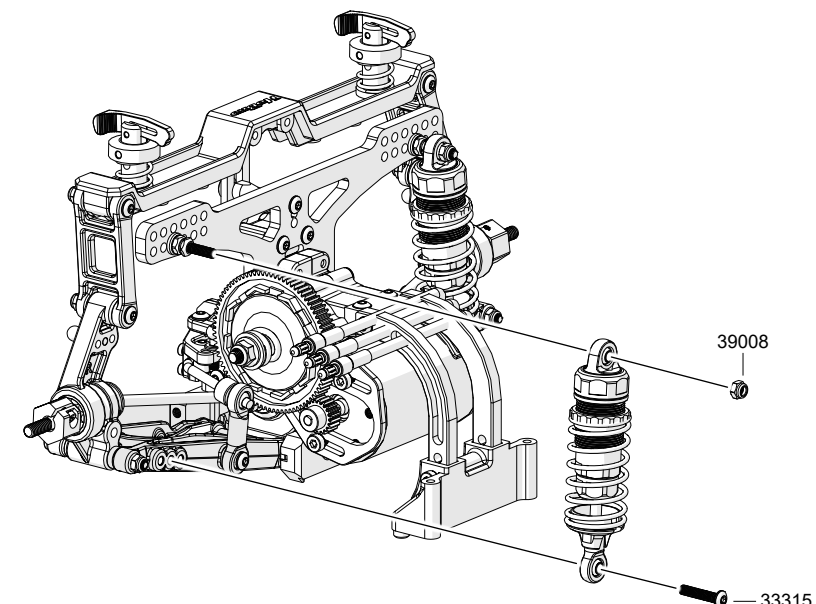


33315
M3x15 x2
B/H Screw

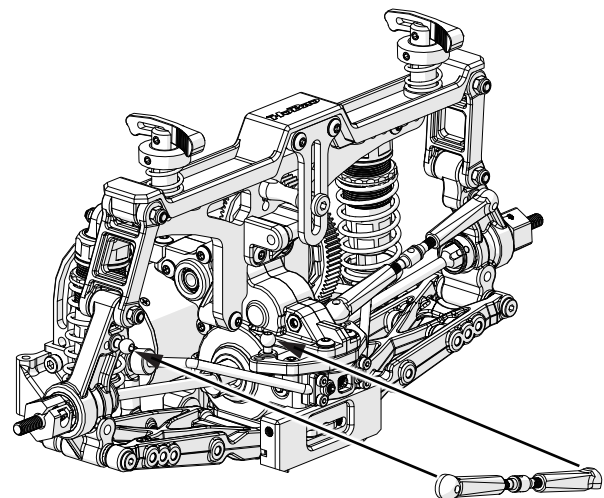
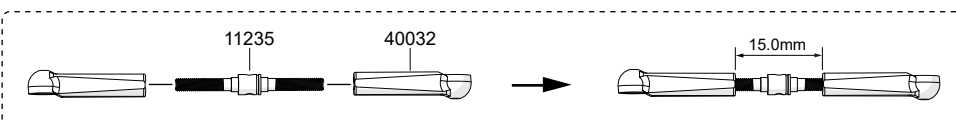


39008
M3 Nut x2

Rear Shock Assembly



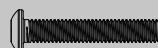
Camber Linkage Assembly



Wheelie Bar Assembly 1



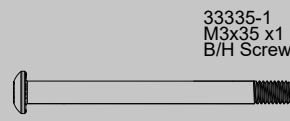
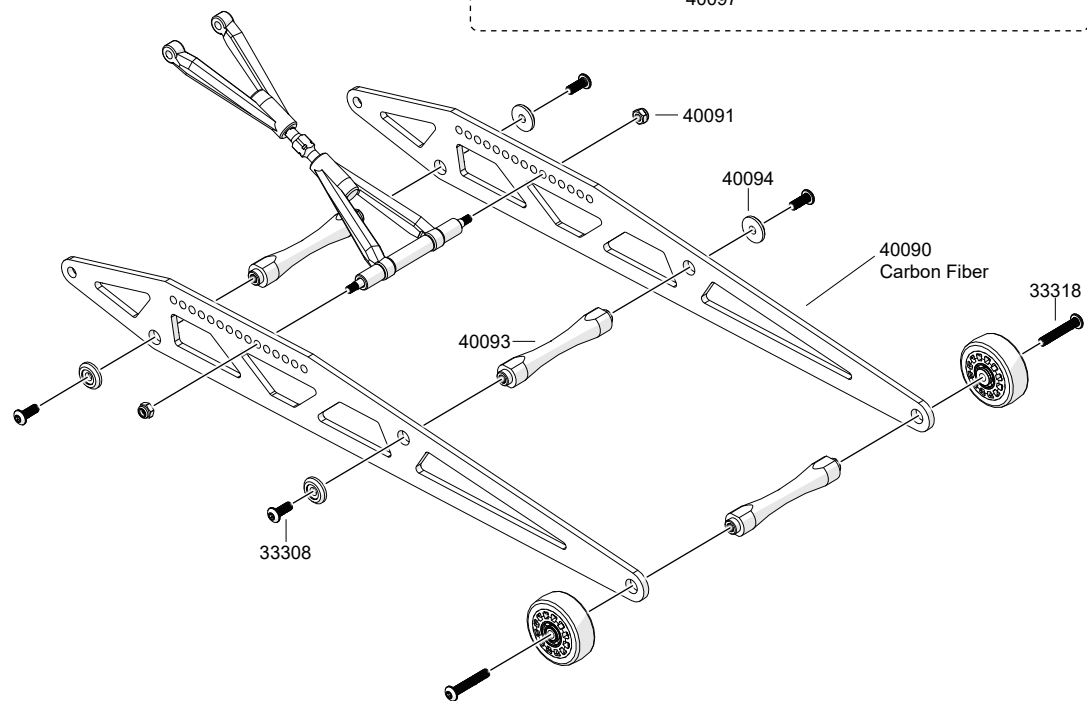
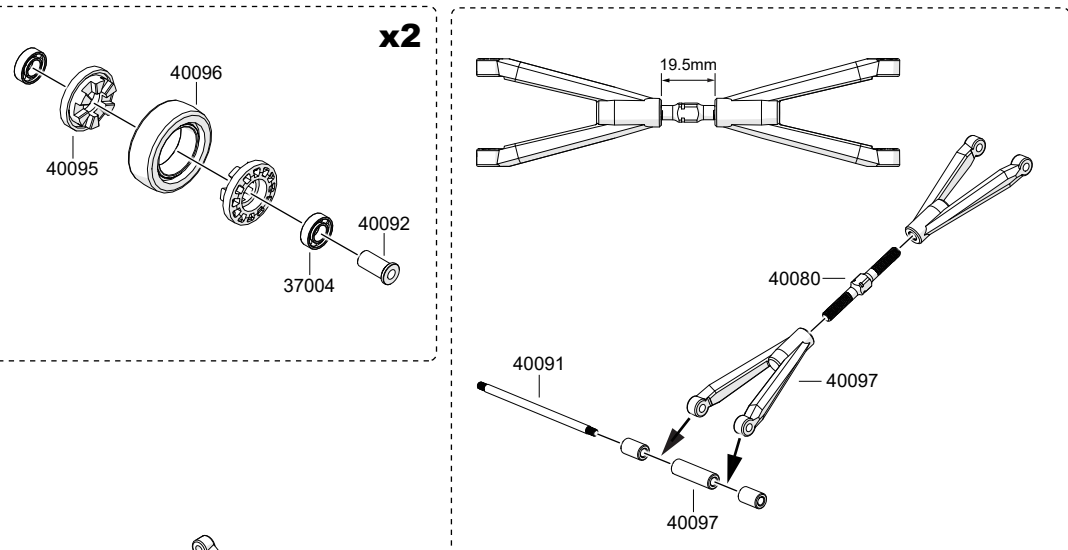
33308
M3x8 x4
B/H Screw



33318
M3x18 x2
B/H Screw

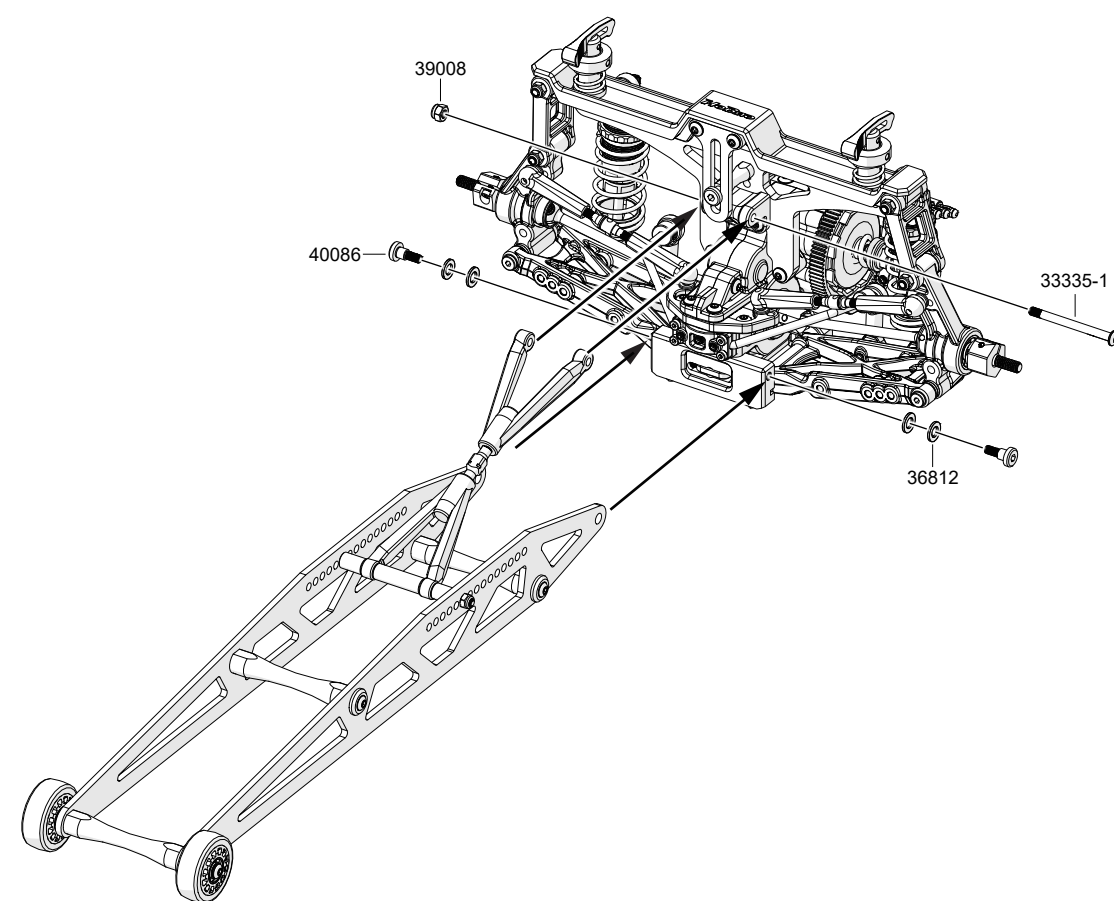


37004
5x10x3mm x4
Ball Bearing



39008
M3 Nut x1

Wheelie Bar Assembly 2

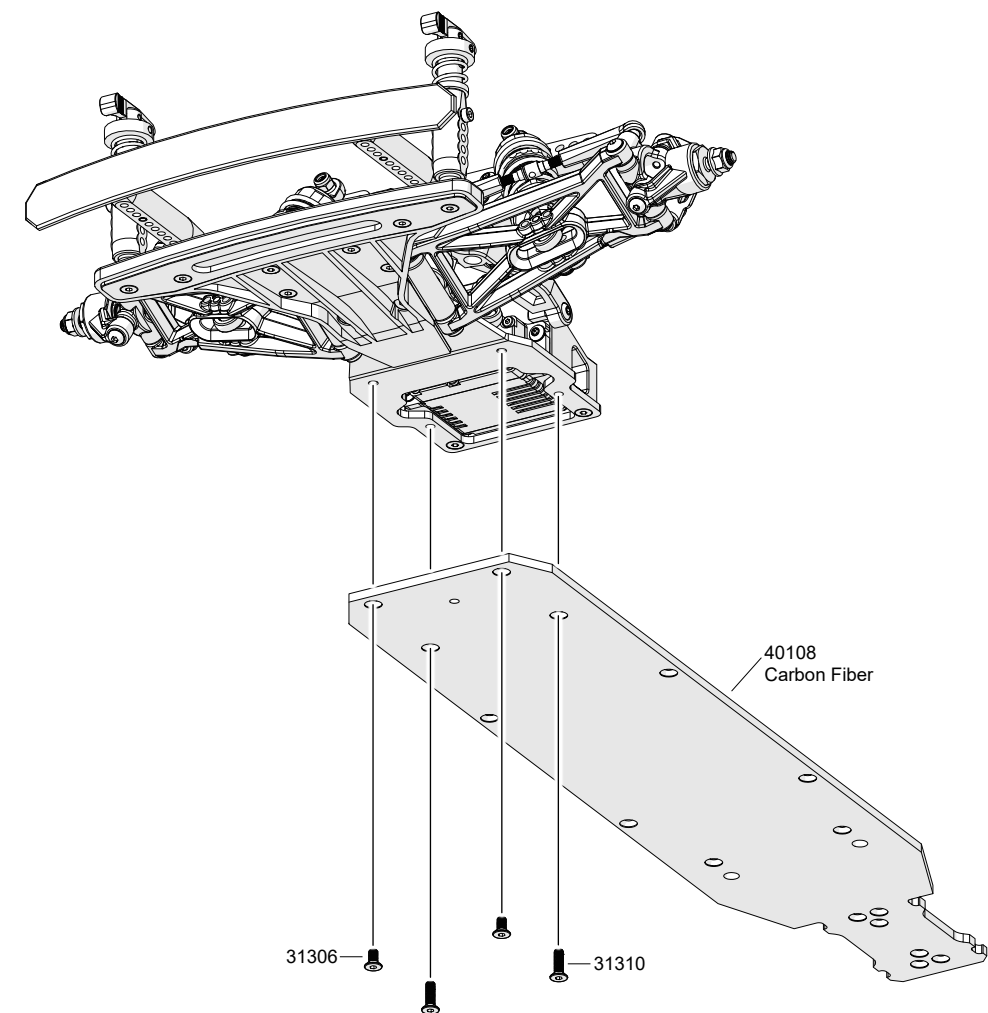


31306
M3x6 x2
F/H Screw



31310
M3x10 x2
F/H Screw

Front Clip Assembly



53

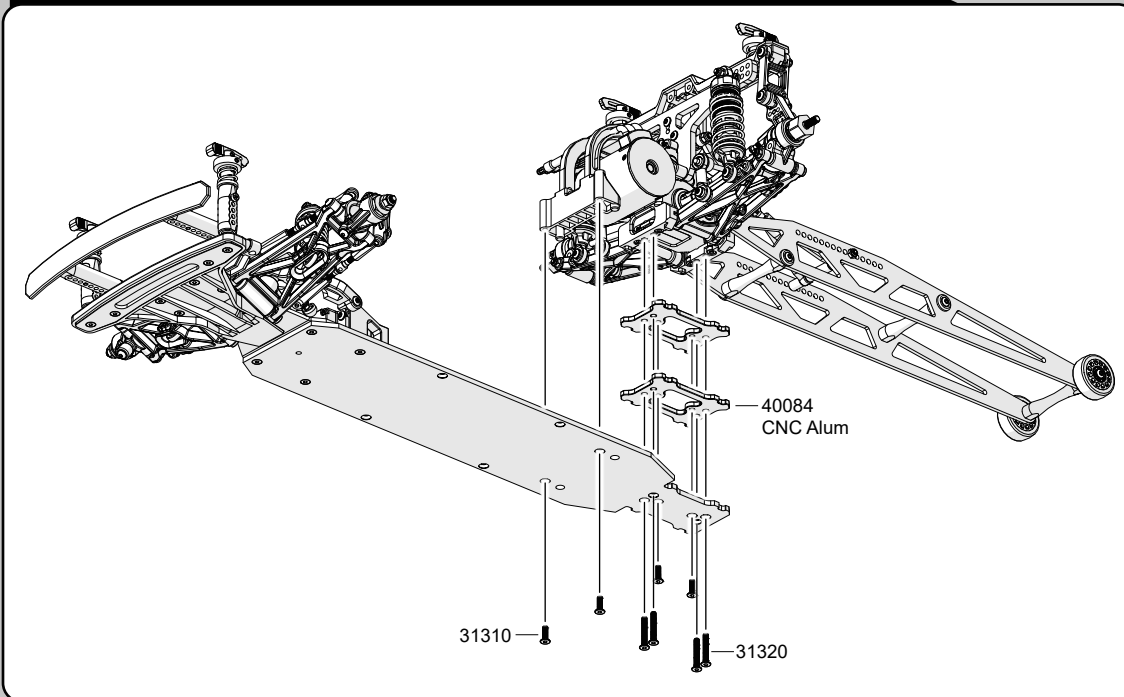


31310
M3x10 x4
F/H Screw



31320
M3x20 x4
F/H Screw

Rear Clip Assembly

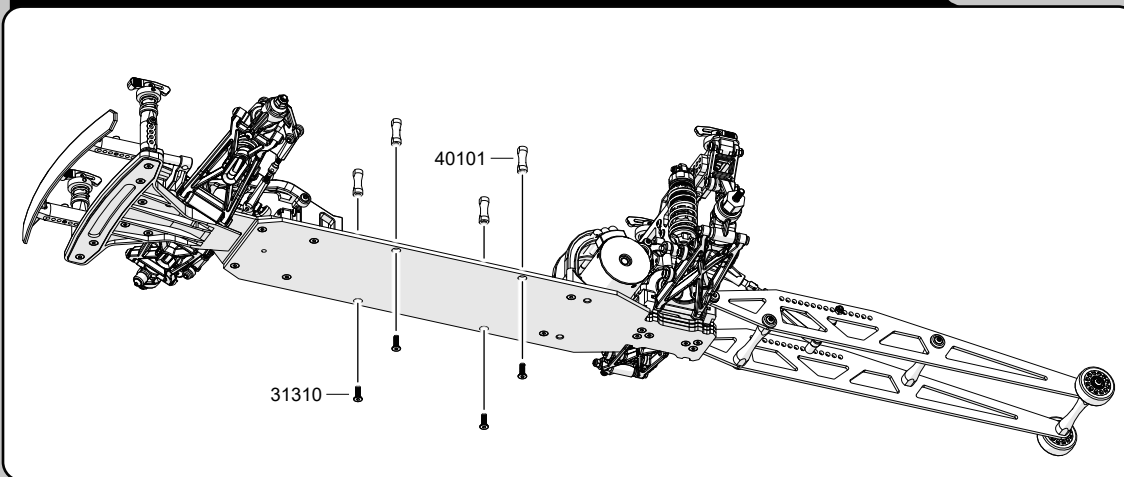


54



31310
M3x10 x4
F/H Screw

Side Body Support Assembly 1

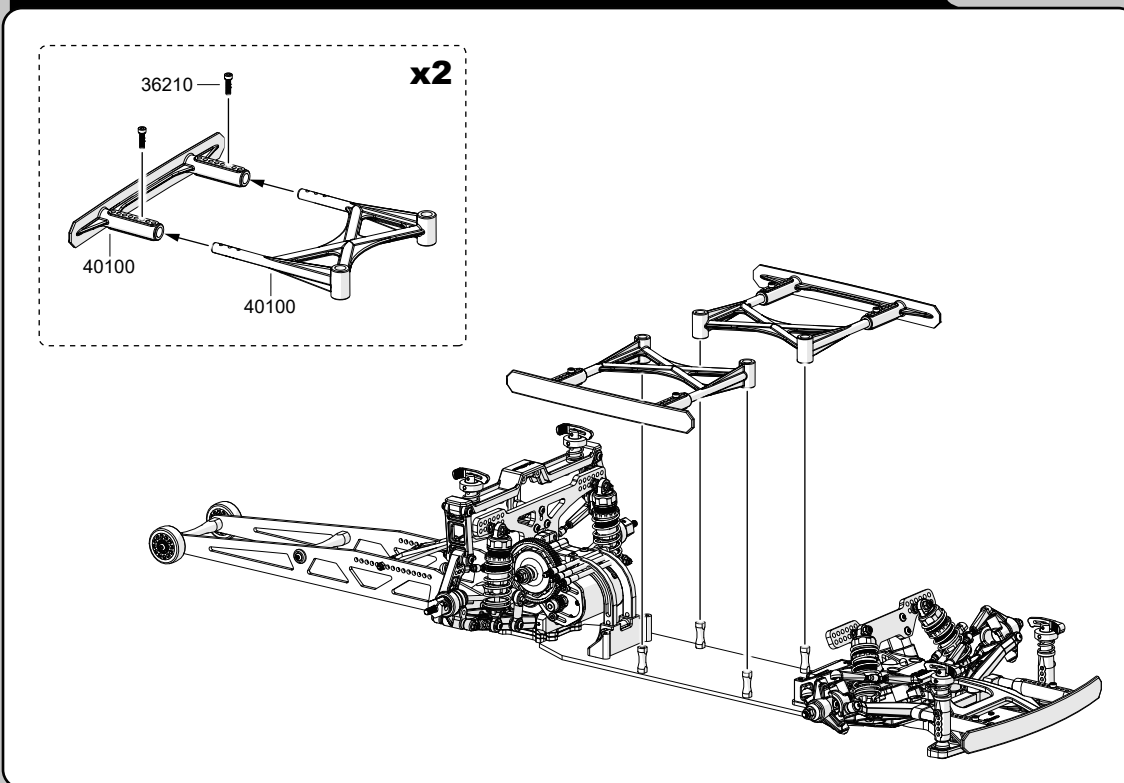


55



36210
M2.6x10 x2
Cap Screw

Side Body Support Assembly 2



56



33308
M3x8 x7
B/H Screw



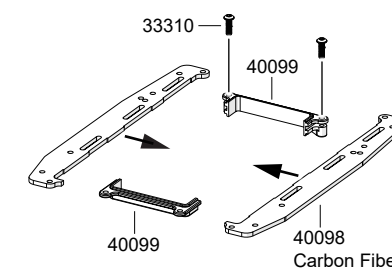
33310
M3x10 x2
B/H Screw



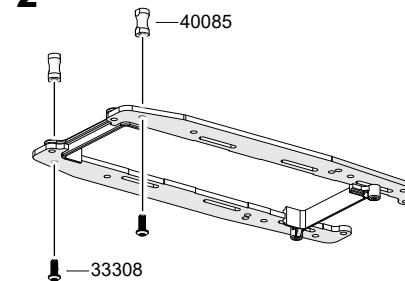
38304
M3x4 x1
Set Screw

Battery Mount and ESC Tray 1

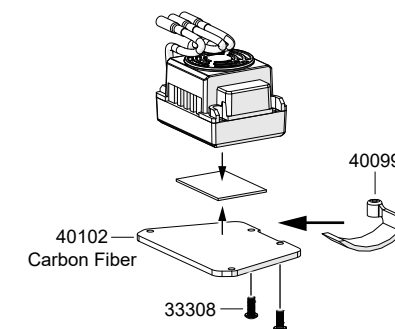
STEP 1



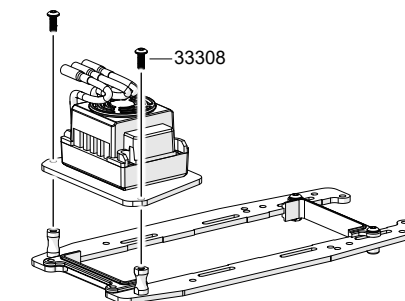
STEP 2



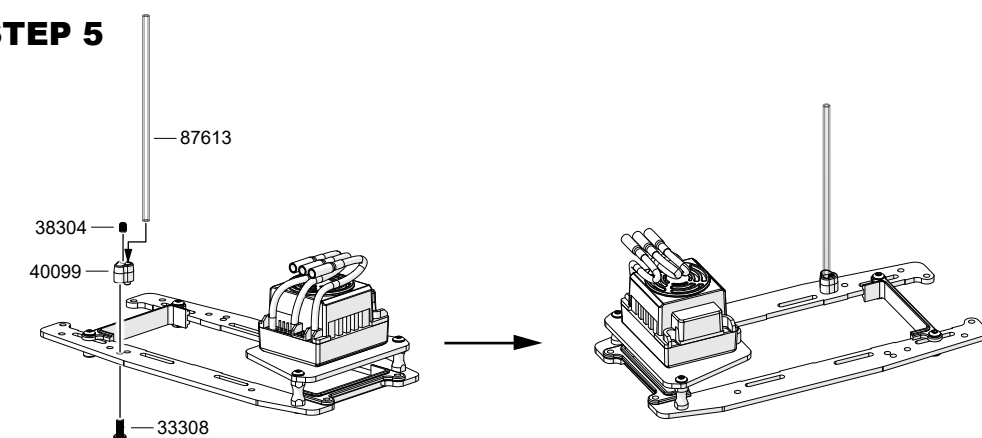
STEP 3



STEP 4



STEP 5

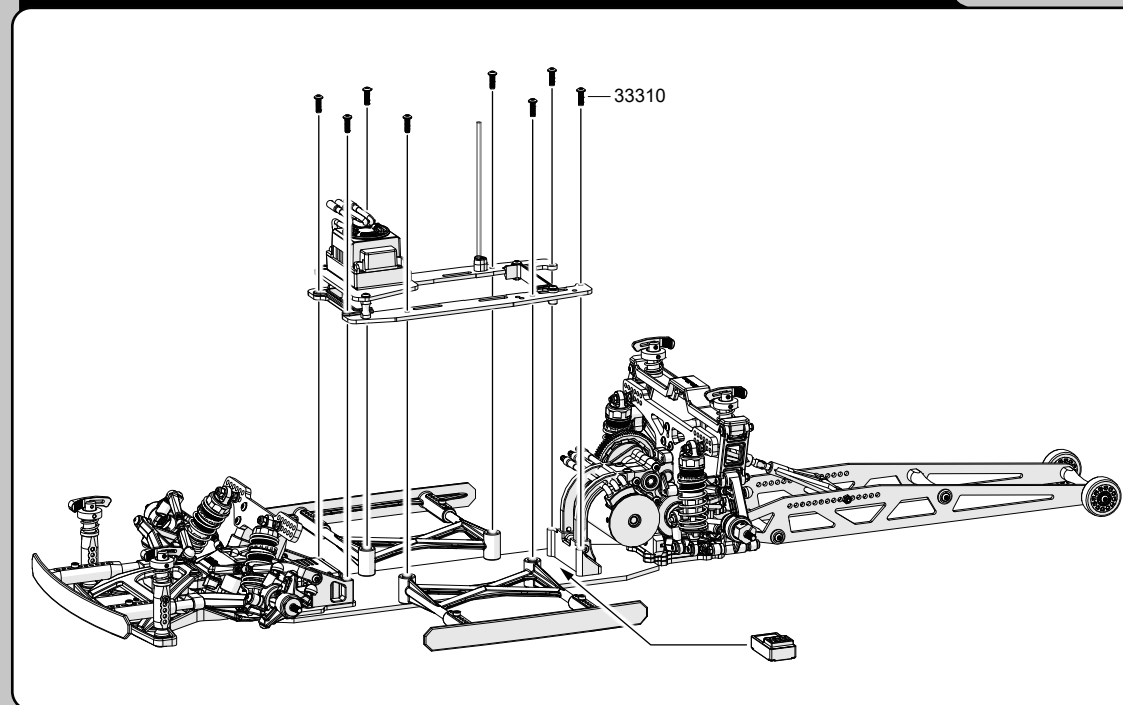


57

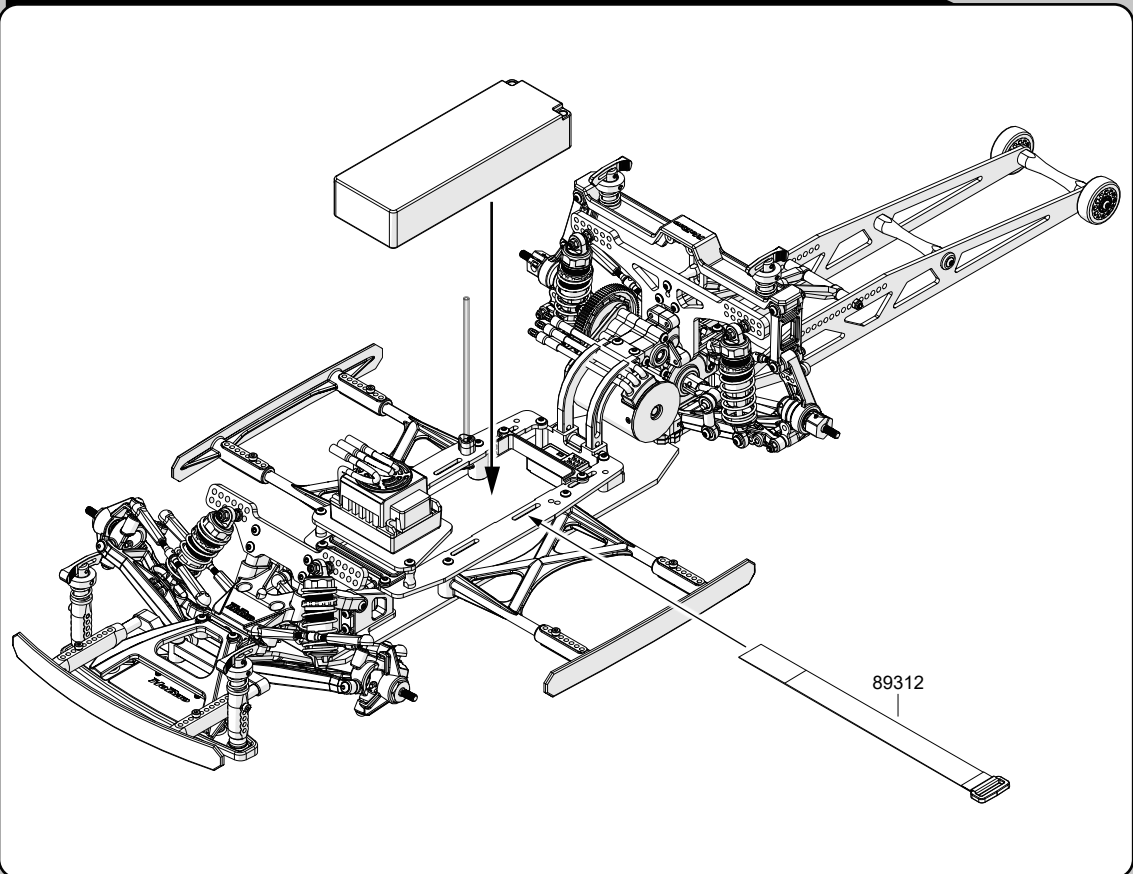


33310
M3x10 x8
B/H Screw

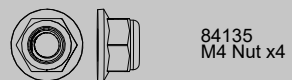
Battery Mount and ESC Tray 2



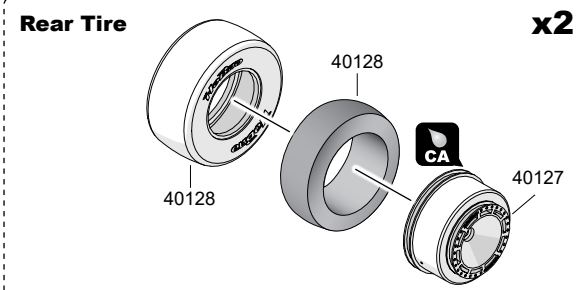
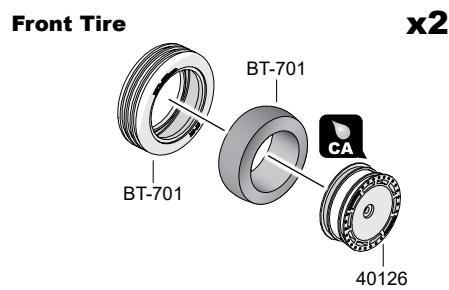
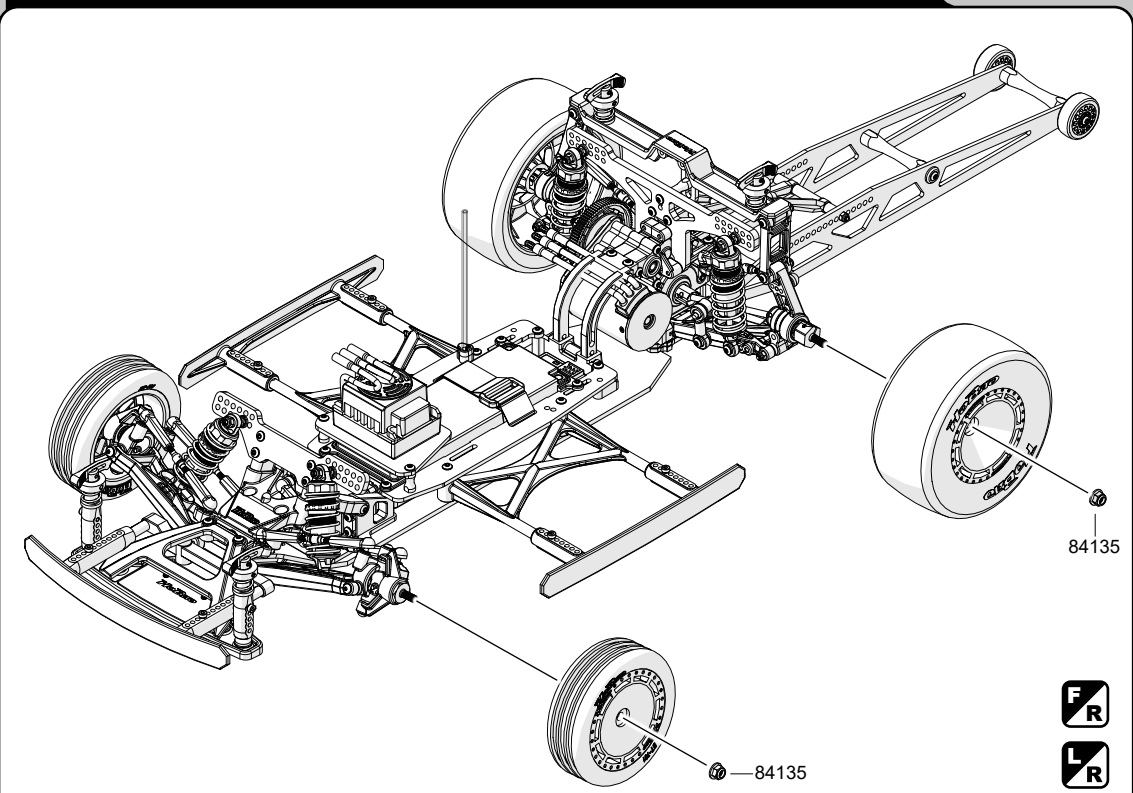
Battery Assembly



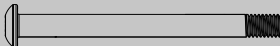




Tire Assembly



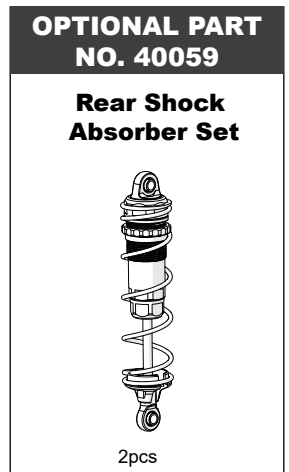
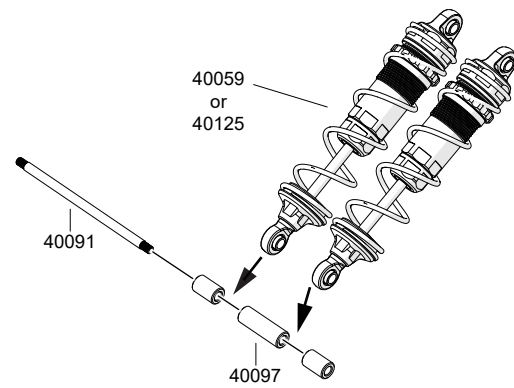
84135
M4 Nut x4



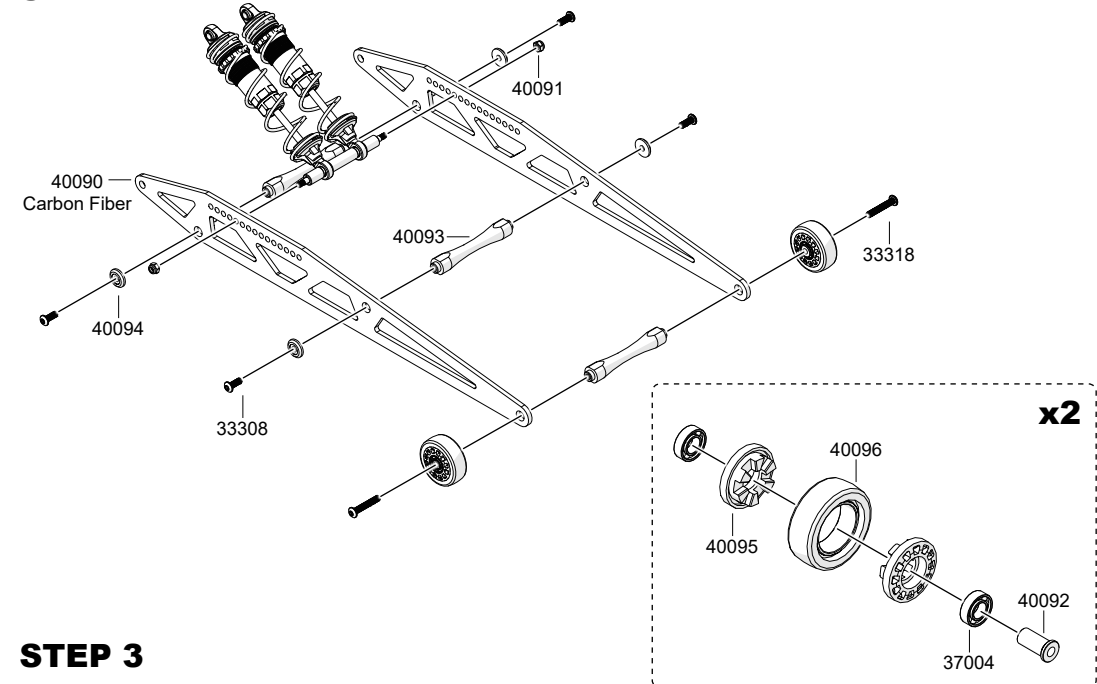
-  33308
M3x8 x4
B/H Screw
-  33318
M3x18 x2
B/H Screw
-  33335-1
M3x35 x1
B/H Screw
-  39008
M3 Nut x2
-  37004
5x10x3mm x4
Ball Bearing

Wheelie Bar Shock Assembly

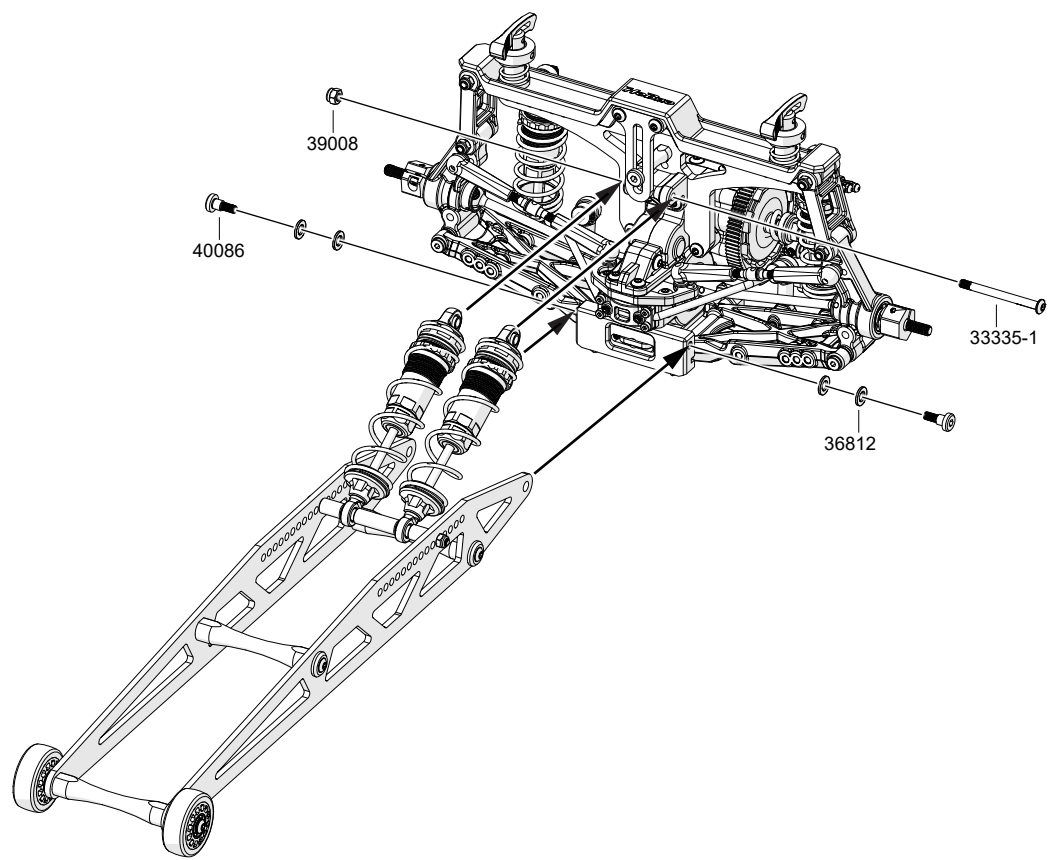
STEP 1



STEP 2

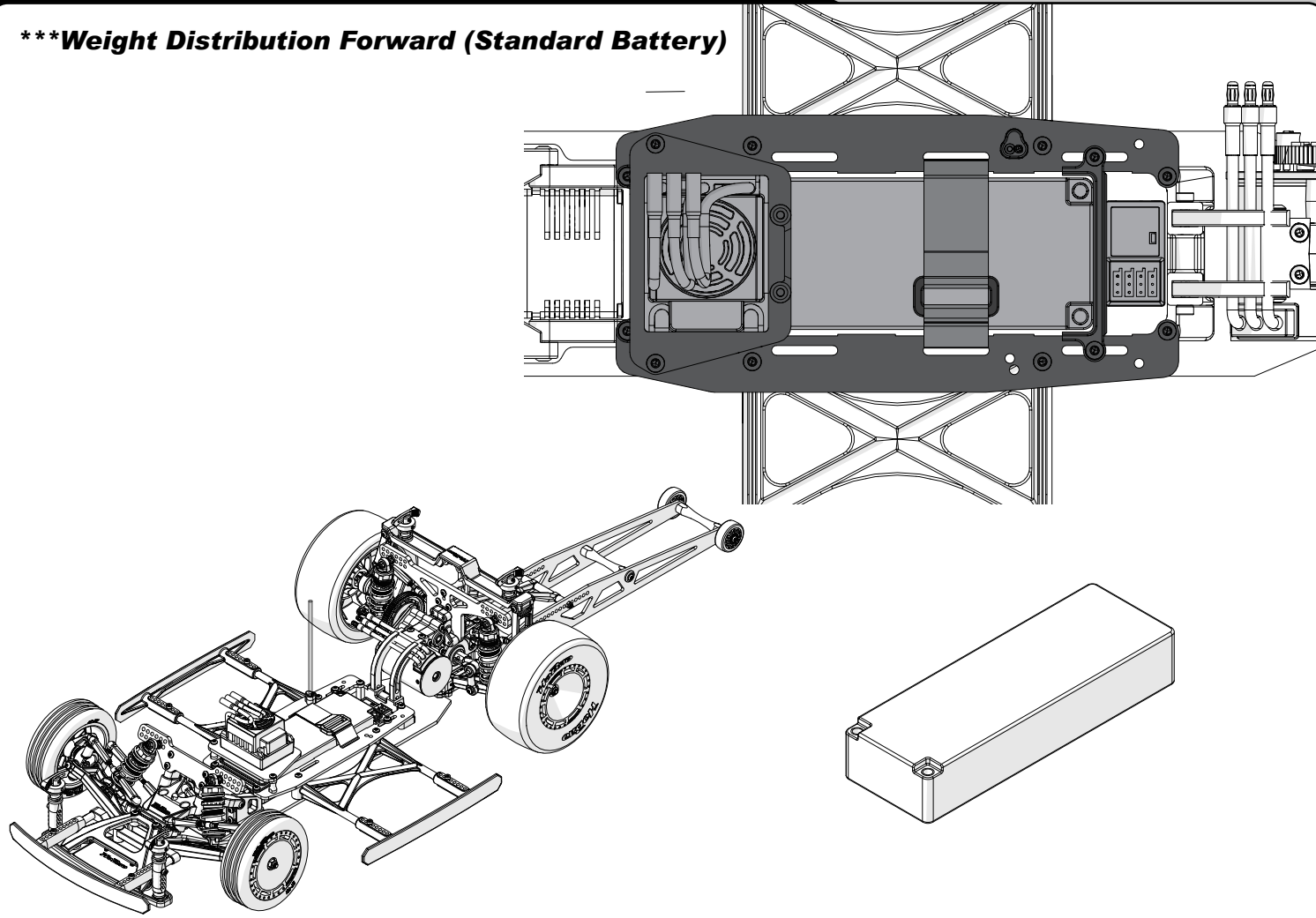


STEP 3

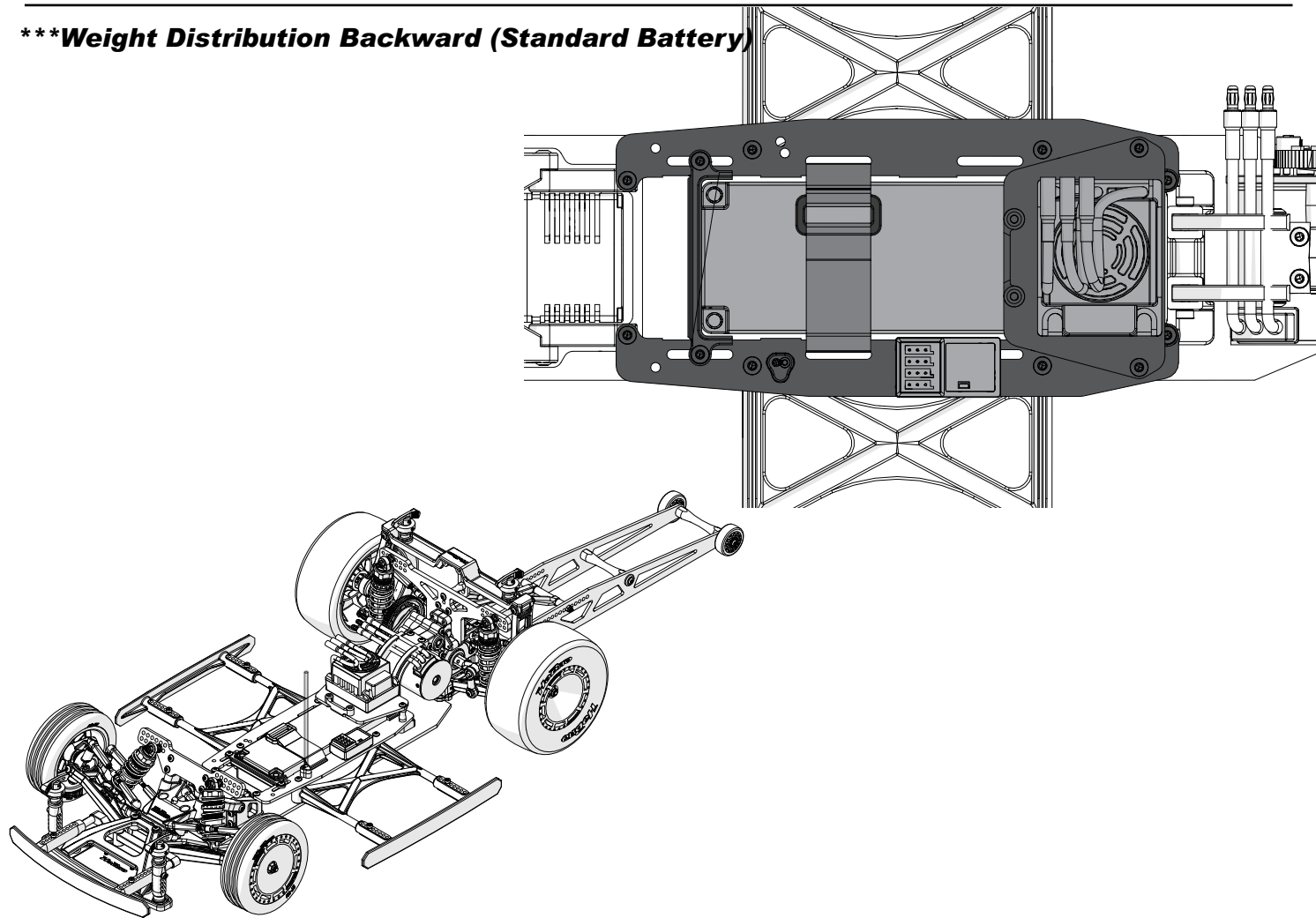


Weight Distribution Adjustment

*****Weight Distribution Forward (Standard Battery)**

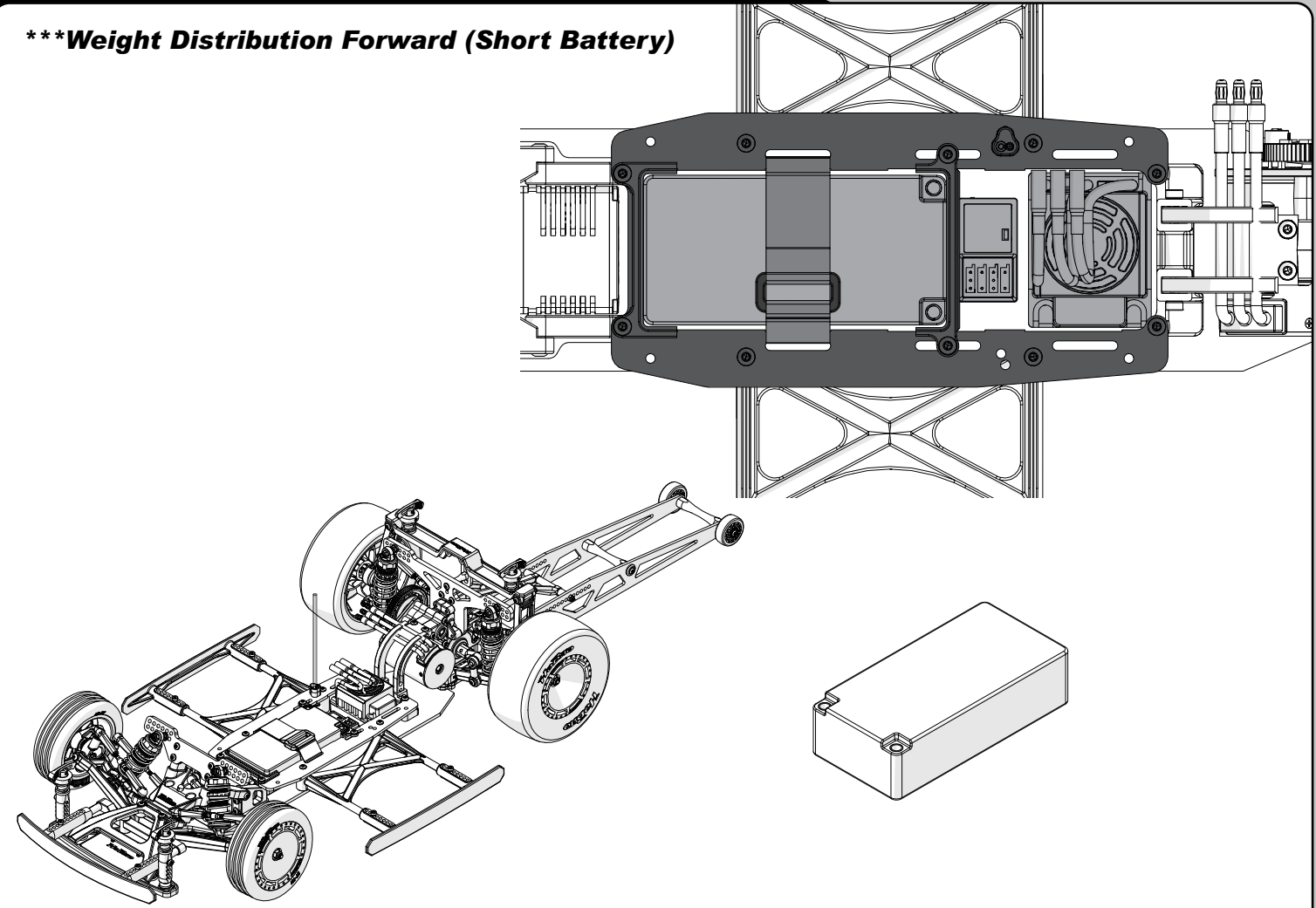


*****Weight Distribution Backward (Standard Battery)**

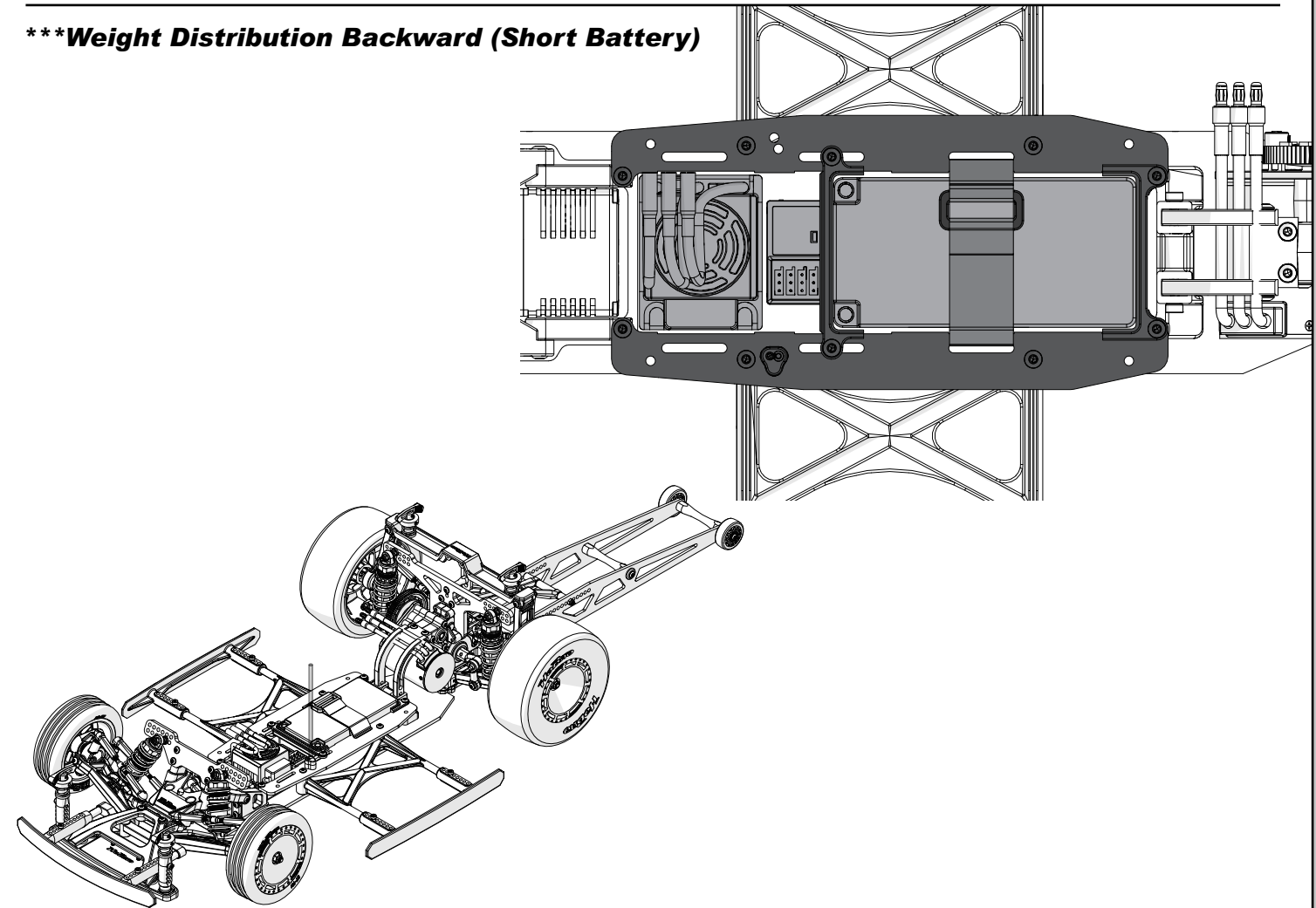


Weight Distribution Adjustment

*****Weight Distribution Forward (Short Battery)**




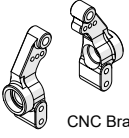

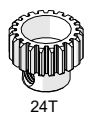



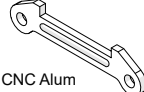
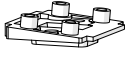


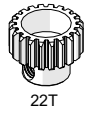

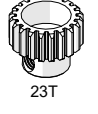
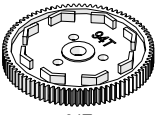


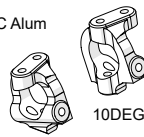

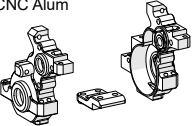
*****Weight Distribution Backward (Short Battery)**



11235 M3x36.5 4pcs	40012 40012	40033 1mm 2pcs 0.5mm 4pcs 2mm 2pcs 1mm 8pcs 0.5mm 4pcs	40049 4pcs 4pcs 8pcs 4pcs 4pcs	40074 M3 Nut M3x35	40084 CNC Alum 2pcs
224064 5x8x2.5mm Bearing 4pcs	40013 M3x14 4pcs	40034 4pcs	40051 4pcs	40075 CNC Alum	40085 12mm 2pcs
224066 10x15x4mm Bearing 4pcs	40014N M3x38 2pcs	40035 4pcs M3 Nut 4pcs	40062 M3x3 Set Screw 21T	40076 CNC Alum	40086 M3x9.6x6 2pcs
36812 4x8x0.5mm Spacer 10pcs	40016 2pcs	40036 5x13x4mm Bearing 2pcs	40067 CNC Alum	40077 M2x6 4pcs M3x4 Set Screw 2pcs M3x25	40087 2pcs 2pcs M3x3 Set Screw 2pcs
37004 5x10x3mm Bearing 4pcs	40017 M3x12 2pcs 2pcs	40041N Φ2.5x0.4 6pcs Φ12mm 2pcs	40068 CNC Alum 2pcs	40078 2pcs	40088 CNC Alum
40001 2pcs 2pcs 4pcs 3.1x7x0.25 Washer 4pcs 5.1x11x0.2 Washer 2pcs	40018 M2x6 M3x10 Set Screw 2pcs	40042 4pcs	40069 CNC Alum	40079 2pcs	40089 2pcs
40008N 2pcs	40023N 3.5x45.5mm Pin 2pcs	40045 4pcs	40070 M2.6x10 2pcs	40080 M4x40	40090 2pcs Carbon Fiber
40009 2pcs	40024N 2pcs	40046 4pcs	40071 M3x12 2pcs M2.6x10 2pcs	40081 Carbon Fiber M3x10 2pcs	40091 M2.6 Nut 2pcs
40010 2pcs	40025N M2.6 Nut 2pcs M2.6x36.4 2pcs	40047 4pcs 4pcs	40072 M3x2x7.8 Set Screw 2pcs M3x8 8pcs M3x5x15.8 Set Screw 2pcs 2pcs	40082 4pcs 4pcs	40092 2pcs M3x18 2pcs
40011N 2pcs	40032 12pcs	40048 4pcs 4pcs	40073 2pcs	40083 M3 Nut 4pcs M3x22 4pcs	40093 3pcs

40094 6pcs	40104 2pcs M2x6 8pcs 4.6x1.2mm O-ring 2pcs	40114 CNC Alum	40124 Front Shock Set-Soft Spring 2pcs	89312 2pcs
40095 4pcs	40105 2x7.8mm Pin 2pcs 2pcs	40115 2pcs	40125 Rear Shock Set-Hard Spring 2pcs	
40096 2pcs	40106 27T	40116 M2x5 2pcs 2pcs CNC Alum	40126 Front Wheel 2pcs	
40097 2pcs 9.5mm 2pcs 18.4mm 2pcs 20mm 2pcs	40107 M3x12 M3 Nut	40117 CNC Alum M3x35 3pcs	40127 Rear Wheel 2pcs	
40098 2pcs Carbon Fiber	40108 Carbon Fiber	40118 84T	40128 Rear Tire 2pcs 2pcs	
40099 2pcs	40109 Carbon Fiber	40119 2pcs	BT-701 Front Tire 2pcs 2pcs	
40100 2pcs 2pcs M2.6x10 2pcs	40110 M3x5 2pcs 2pcs	40120 21T	84077 5x10x4mm Bearing 2pcs	
40101 18mm 4pcs	40111 CNC Alum 2pcs 2pcs	40121 2pcs	84078 6x10x3mm Bearing 4pcs	
40102 Carbon Fiber	40112 Carbon Fiber	40122 Front Spring-Soft 2pcs	84135 M4 Nut 10pcs	
40103 CNC Steel 51T	40113 CNC Alum	40123 Rear Spring-Hard 2pcs	87613 Antenna tube 6pcs	






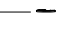








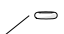
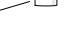
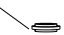



OPTIONAL PARTS

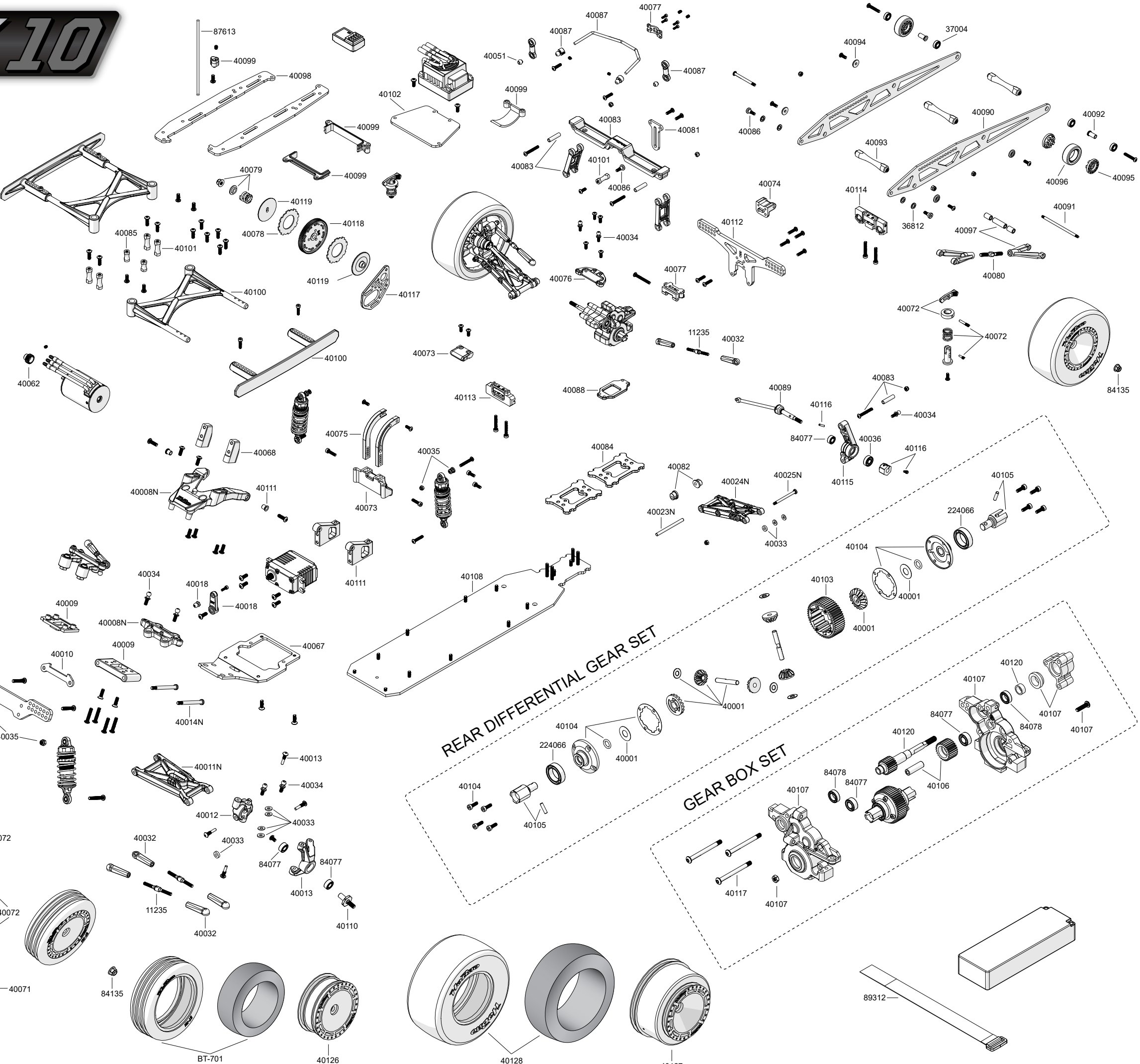
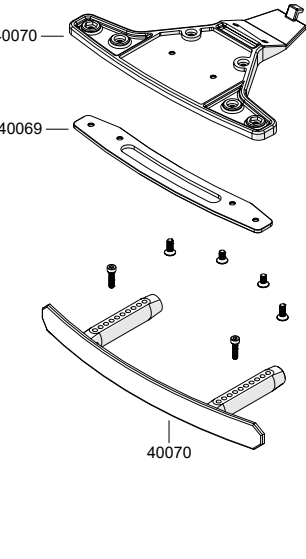
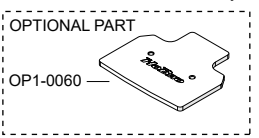
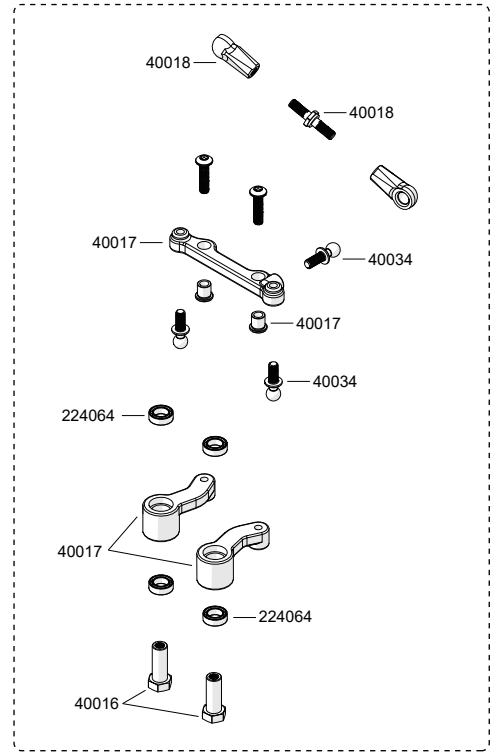
40059	OP1-0063			
 2pcs	 CNC Brass			
40063	OP1-0064			
 M3x3 Set Screw	 24T	 2pcs	 4pcs	 2pcs
OP1-0011	OP1-0065			
 CNC Alum Holder	 5° Squat Spacer			
OP1-0012				
 CNC Alum Front Hub				
OP1-0019				
 M3x3 Set Screw	 22T			
OP1-0020				
 M3x3 Set Screw	 23T			
OP1-0059				
 94T				
OP1-0060				
 Brass	 M3x10 Set Screw			
OP1-0061				
 CNC Alum	 10DEG			
OP1-0062				
 CNC Alum				

STANDARD PARTS		40082	ADJUSTABLE ARM INSERTS	84078	BALL BEARING 6 X10X3MM
11235	TURNBUCKLE	40083	BAR & ARM	84135	WHEEL NUT 4MM, 10PCS
224064	BEARING 5x8x2.5MM	40084	CNC ALUM RISER BLOCK, 2PCS	87613	ANTENNA, 6PCS
224066	BEARING 10x15x4MM	40085	ALUM STANDOFFS 12MM, 2PCS	89312	MAGIC STRIP
36812	SPACER 4x8x0.5mm	40086	CNC STEEL SCREWS M3X9.6X6mm, 2PCS		
37004	BEARING 5x10x3MM	40087	ANTI-ROLL BAR 3MM SET		
40001	BEVEL GEAR	40088	CNC ALUM GEAR BOX BRACE		
40008N	FRONT BULKHEAD & UPPER ARM MOUNT	40089	HEAVY DUTY CVA DRIVESHAFT SET		
40009	FRONT PIVOT BLOCK & KICK PLATE	40090	CARBON FIBER WHEELIE ARM, 2PCS	32205	M2x5 CAP HEAD SCREW
40010	FRONT SUSPENSION ARM HOLDER	40091	TENSION ARM HINGE PIN-STEEL W/ M2.6 NUTS	32206	M2x6 CAP HEAD SCREW
40011N	NEW FRONT SUSPENSION ARM	40092	STEEL WHEELIE WHEEL HAT BUSHING, 2PCS	36210	M2.6x10 CAP HEAD SCREW
40012	FRONT C-HUB SET	40093	WHEELIE ARM ALUM STANDOFFS, 3PCS	31306	M3x6 FLAT HEAD SCREW
40013	STEERING KNUCKLE SET	40094	PLASTIC WASHER, 6PCS	31308	M3x8 FLAT HEAD SCREW
40014N	NEW FRONT ARM HINGE PIN M3X38, 2PCS	40095	WHEELIE WHEEL, 2PCS	31310	M3x10 FLAT HEAD SCREW
40016	STEERING RACK POST	40096	WHEELIE TIRE- 26MM, 2PCS	31312	M3x12 FLAT HEAD SCREW
40017	STEERING RACK SET	40097	TENSION ARM	31320	M3x20 FLAT HEAD SCREW
40018	SERVO HORN SET	40098	CARBON FIBER SIDE BRACE, 2PCS	32308	M3x8 CAP HEAD SCREW
40023N	NEW REAR ARM HINGE PIN 3.5X45.5, 2PCS	40099	ADJUSTABLE BATTERY HOLDER SET	32312	M3x12 CAP HEAD SCREW
40024N	NEW REAR SUSPENSION ARM	40100	SIDE BODY SUPPORT SET	32320	M3x20 CAP HEAD SCREW
40025N	NEW REAR HUB HINGE PIN M2.6X36.4,W/ NUT, 2PCS	40101	ALUM STANDOFFS 18MM, 2PCS	33305	M3x5 BUTTON HEAD SCREW
40032	BALL END 4.8MM	40102	CARBON FIBER ESC TRAY	33306	M3x6 BUTTON HEAD SCREW
40033	ADJUSTMENT SPACER SET	40103	CNC STEEL DIFFERENTIAL HOUSING GEAR 51T	33308	M3x8 BUTTON HEAD SCREW
40034	BALL STUD 4.8MM	40104	CNC ALUM DIFFERENTIAL CAP W/ METAL BUSHING & GASKET	33310	M3x10 BUTTON HEAD SCREW
40035	SHOCK BUSHING	40105	DIFFERENTIAL OUTDRIVE CUP, 2PCS W/ PIN	33312	M3x12 BUTTON HEAD SCREW
40036	BEARING 5x13x4MM	40106	STEEL IDLER GEAR 27T W/ SHAFT	33315	M3x15 BUTTON HEAD SCREW
40041N	NEW SHOCK SHAFT W/ E CLIPS, 2PCS	40107	GEAR BOX	33318	M3x18 BUTTON HEAD SCREW
40042	SHOCK BLADDER	40108	CARBON FIBER CHASSIS	33320	M3x20 BUTTON HEAD SCREW
40045	SHOCK CAP TOP	40109	CARBON FIBER FRONT SHOCK TOWER	33322	M3x22 BUTTON HEAD SCREW
40046	SHOCK CAP BOTTOM	40110	FRONT AXLE - 12MM HEX, 2PCS	33335-1	M3x35 BUTTON HEAD SCREW
40047	ADJUSTABLE SHOCK RING	40111	CNC ALUM SERVO MOUNT - HARD ANODIZED	38303	M3x3 SET SCREW
40048	SHOCK NYLON SET	40112	CARBON FIBER REAR SHOCK TOWER	38304	M3x4 SET SCREW
40049	SHOCK PISTON SET	40113	CNC ALUM REAR SUSPENSION ARM HOLDER-RF	39007	NYLON NUT M2.6
40051	BALL 5.8MM	40114	CNC ALUM REAR SUSPENSION ARM HOLDER-RR	39008	NYLON NUT M3
40062	PINION GEAR - 21T	40115	REAR HUB		
40067	CNC ALUM CHASSIS FRONT PLATE	40116	CNC ALUM REAR WHEEL HEX		
40068	CNC ALUM FRONT TOWER MOUNT, 2PCS	40117	LIGHTWEIGHT CNC ALUM MOTOR PLATE		
40069	CNC ALUM FRONT BUMPER SUPPORT PLATE	40118	SPUR GEAR 48P 84T	40059	REAR SHOCK ABSORBER SET
40070	FRONT BUMPER SET W/ ADJUSTABLE BODY SUPPORT	40119	SLIPPER HUB	40063	PINION GEAR - 24T
40071	BODY POST STRUT HOUSING	40120	STEEL TOP SHAFT W/ 21T GEAR	OP1-0011	CNC FRONT LOWER SUSPENSION ARM HOLDER
40072	QUICK RELEASE BODY POST SET	40121	SHOCK BODY- HARD ANODIZED, 2PCS	OP1-0012	CNC ALUM FRONT C-HUB SET
40073	REAR BRACE MOUNT	40122	FRONT SHOCK SPRING- SOFT/ BLUE	OP1-0019	PINION GEAR - 22T
40074	WHEELIE UPPER MOUNT	40123	REAR SHOCK SPRING- HARD/ BLUE	OP1-0020	PINION GEAR - 23T
40075	CNC ALUM REAR BRACE	40124	FRONT SHOCK ABSORBER SET, W/SOFT SPRING	OP1-0059	SPUR GEAR 48P 94T
40076	CNC ALUM BALL MOUNT FOR CAMBER LINK	40125	REAR SHOCK ABSORBER SET, W/HARD SPRING	OP1-0060	FRONT BUMPER BRASS WEIGHT - 55G
40077	ANTI-ROLL BAR MOUNT SET	40126	FRONT WHEEL 2.2", 2PCS	OP1-0061	CNC ALUM C HUB - 10 DEGREE
40078	SLIPPER PAD, 2PCS	40127	REAR WHEEL - 3.0", 2PCS	OP1-0062	CNC ALUM GEAR BOX FOR MID MOTOR
40079	SLIPPER SPRING SET	40128	BELTED REAR SLICK TIRE-SOFT, 2PCS	OP1-0063	CNC BRASS REAR HUB
40080	TURNBUCKLE M4X40	BT-701	FRONT TIRES	OP1-0064	CNC BODY POST
40081	CARBON FIBER CENTERING MOUNT	84077	BALL BEARING 5X10X4MM	OP1-0065	5° SQUAT SPACER

HYPER EX 10

**SHOCK SET
FRONT NO.40124
REAR NO.40125**

- 40045 
- 40051 
- 40048 
- 40042 
- 40041N 
- 40049 
- 40041N 
- 40041N 
- 40121 
- 40049 
- 40049 
- 40049 
- 40046 
- 40047 
- 40047 
- 40122 FRONT Soft Spring 
- 40123 REAR Hard Spring 
- 40048 
- 40048 
- 40051 



REAR DIFFERENTIAL GEAR SET

GEAR BOX SET

